

CS 110
Computer Architecture
Lecture 11:
Datapath

Instructors:
Sören Schwertfeger & Chundong Wang

School of Information Science and Technology SIST

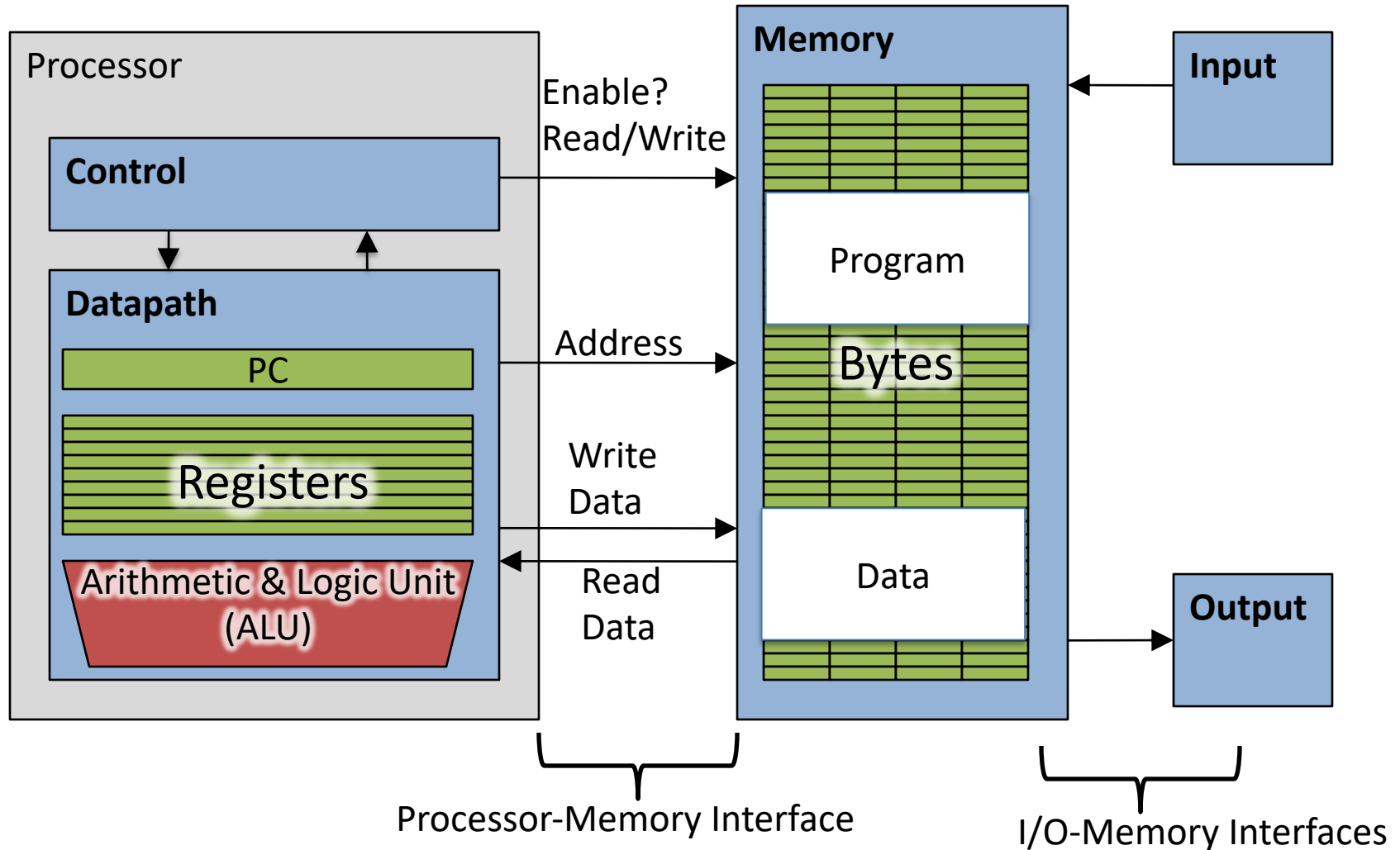
ShanghaiTech University

Slides based on UC Berkley's CS61C

Review

- Timing constraints for Finite State Machines
 - Setup time, Hold Time, Clock to Q time
- Use muxes to select among inputs
 - S control bits selects from 2^S inputs
 - Each input can be n-bits wide, independent of S
 - Can implement muxes hierarchically
- ALU can be implemented using a mux
 - Coupled with basic block elements
 - Adder/ Subtractor & AND & OR & shift

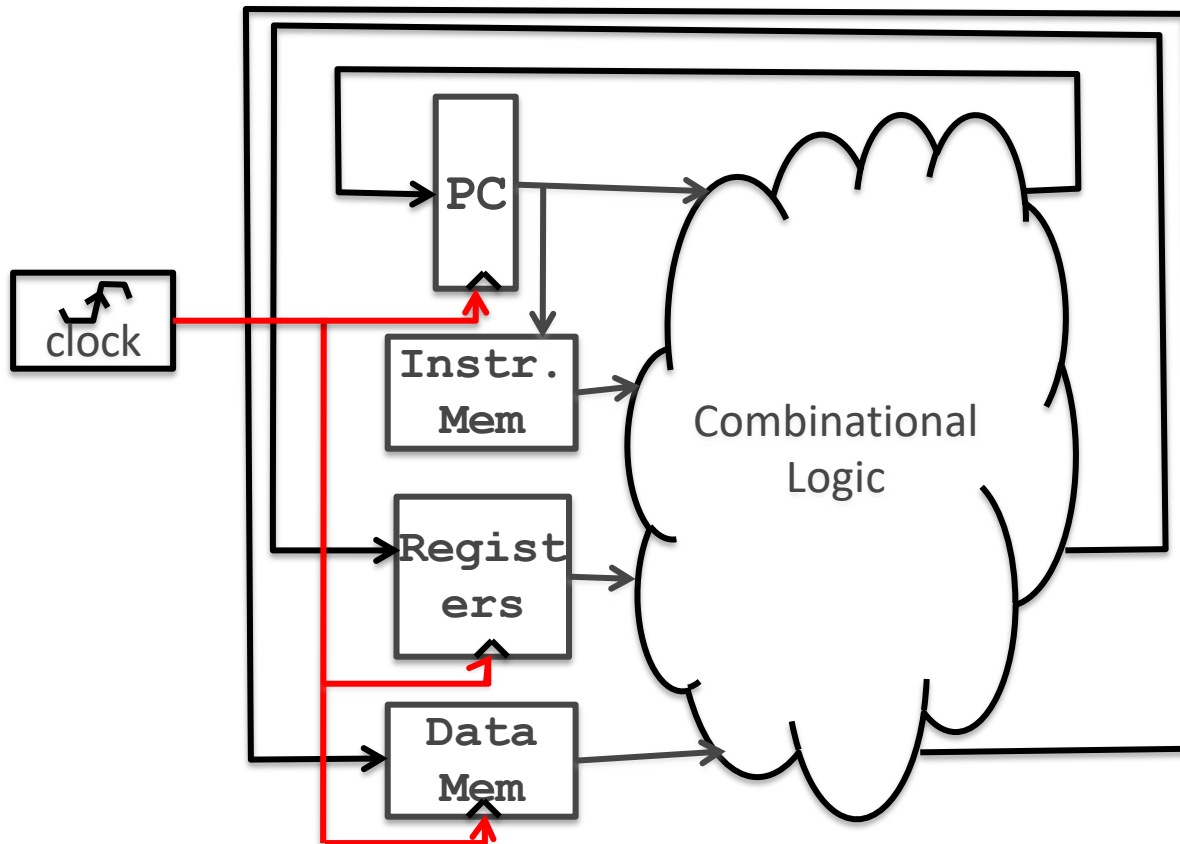
Components of a Computer



The CPU

- Processor (CPU): the active part of the computer that does all the work (data manipulation and decision-making)
- Datapath: portion of the processor that contains hardware necessary to perform operations required by the processor
- Control: portion of the processor (also in hardware) that tells the datapath what needs to be done

One-Instruction-Per-Cycle RISC-V Machine



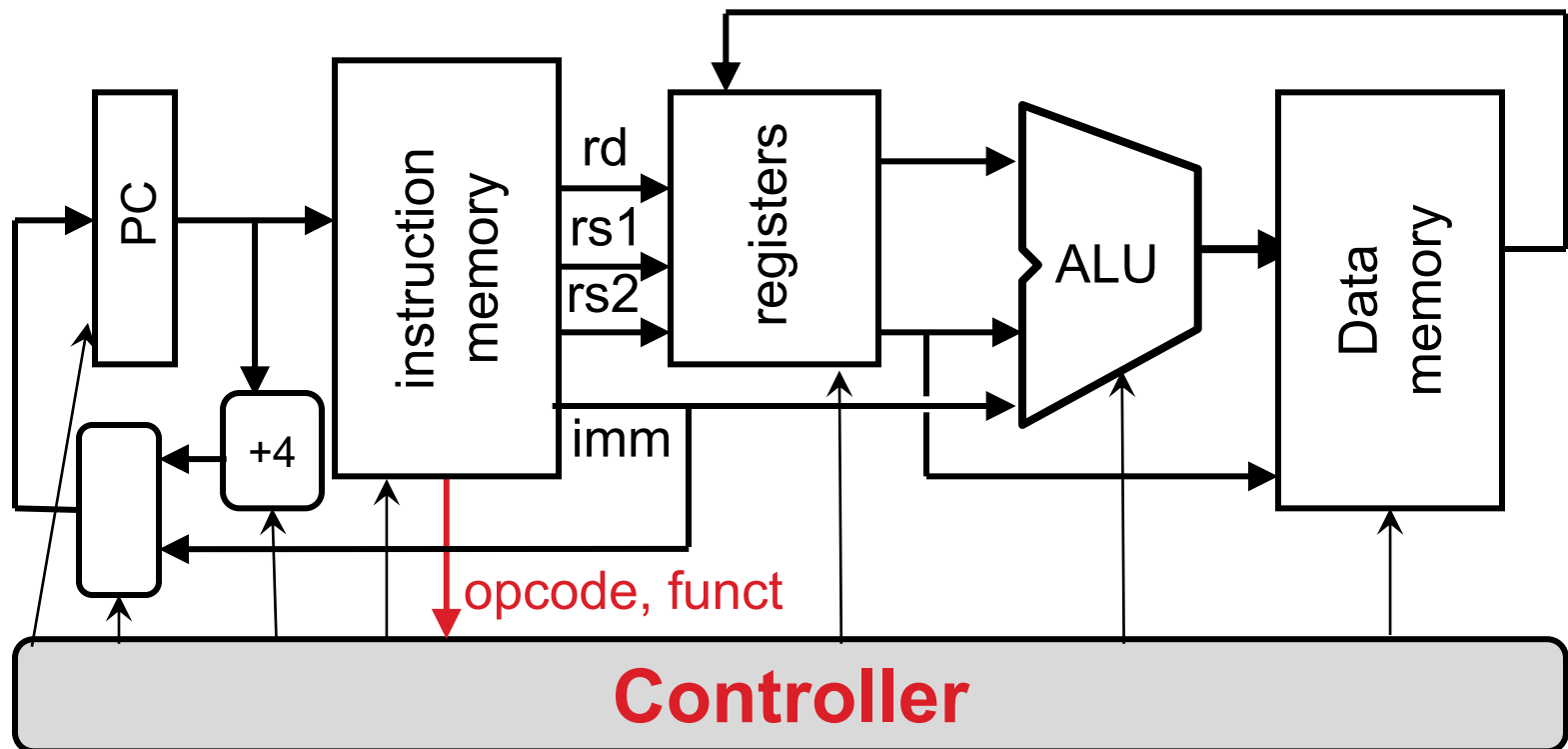
- One clock tick => one instruction
- Current state outputs => inputs to combinational logic => outputs settle at the values of state before next clock edge
- Rising clock edge:
 - all state elements are updated with combinational logic outputs
 - execution moves to next clock cycle

What is special about Instruction Memory?

Why is Instruction Memory special?

Datapath and Control

- Datapath designed to support data transfers required by instructions
- Controller causes correct transfers to happen



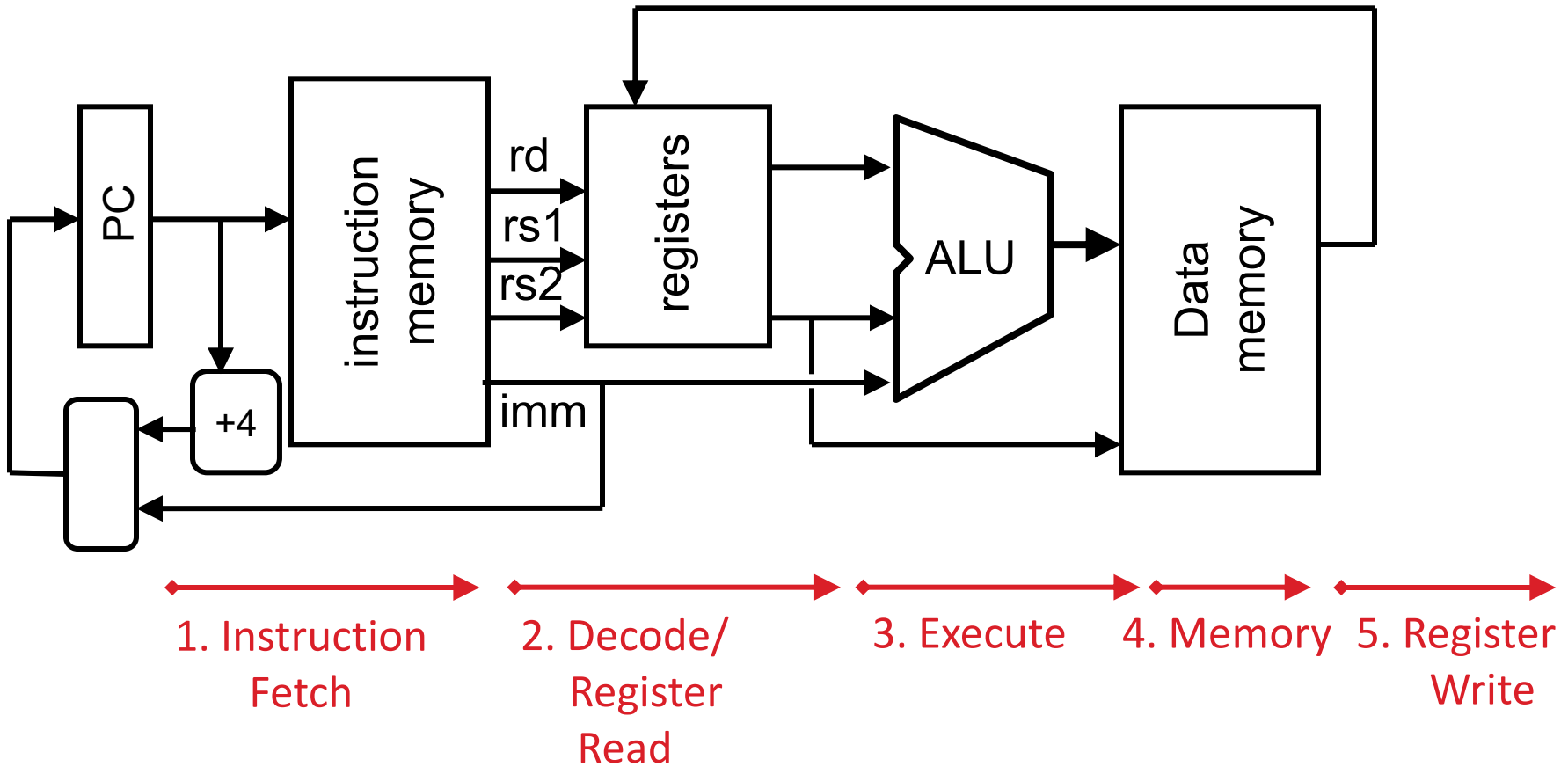
Stages of the Datapath : Overview

- Problem: a single, “monolithic” block that “executes an instruction” (performs all necessary operations beginning with fetching the instruction) would be too bulky and inefficient
- Solution: break up the process of “executing an instruction” into stages, and then connect the stages to create the whole datapath
 - smaller stages are easier to design
 - easy to optimize (change) one stage without touching the others (modularity)

Five Stages of Instruction Execution

- Stage 1: Instruction Fetch (IF)
- Stage 2: Instruction Decode (ID)
- Stage 3: Execute (EX): ALU (Arithmetic-Logic Unit)
- Stage 4: Memory Access (MEM)
- Stage 5: Register Write (WB)

Stages of Execution on Datapath



Stages of Execution (1/5)

- There is a wide variety of RISC-V instructions: so what general steps do they have in common?
- Stage 1: Instruction Fetch
 - no matter what the instruction, the 32-bit instruction word must first be fetched from memory (the cache-memory hierarchy)
 - also, this is where we Increment PC (that is, $PC = PC + 4$, to point to the next instruction: byte addressing so + 4)

Stages of Execution (2/5)

- Stage 2: Instruction Decode
 - upon fetching the instruction, we next gather data from the fields (decode all necessary instruction data)
 - first, read the opcode to determine instruction type and field lengths
 - second, (at the same time!) read in data from all necessary registers
 - for add, read two registers
 - for addi, read one register
 - third, generate the immediates

Stages of Execution (3/5)

- Stage 3: ALU (Arithmetic-Logic Unit)
 - the real work of most instructions is done here: arithmetic (+, -, *, /), shifting, logic (&, |)
 - what about loads and stores?
 - lw t0, 40(t1)
 - the address we are accessing in memory = the value in t1 PLUS the value 40
 - so we do this addition in this stage
 - also does stuff for other instructions...

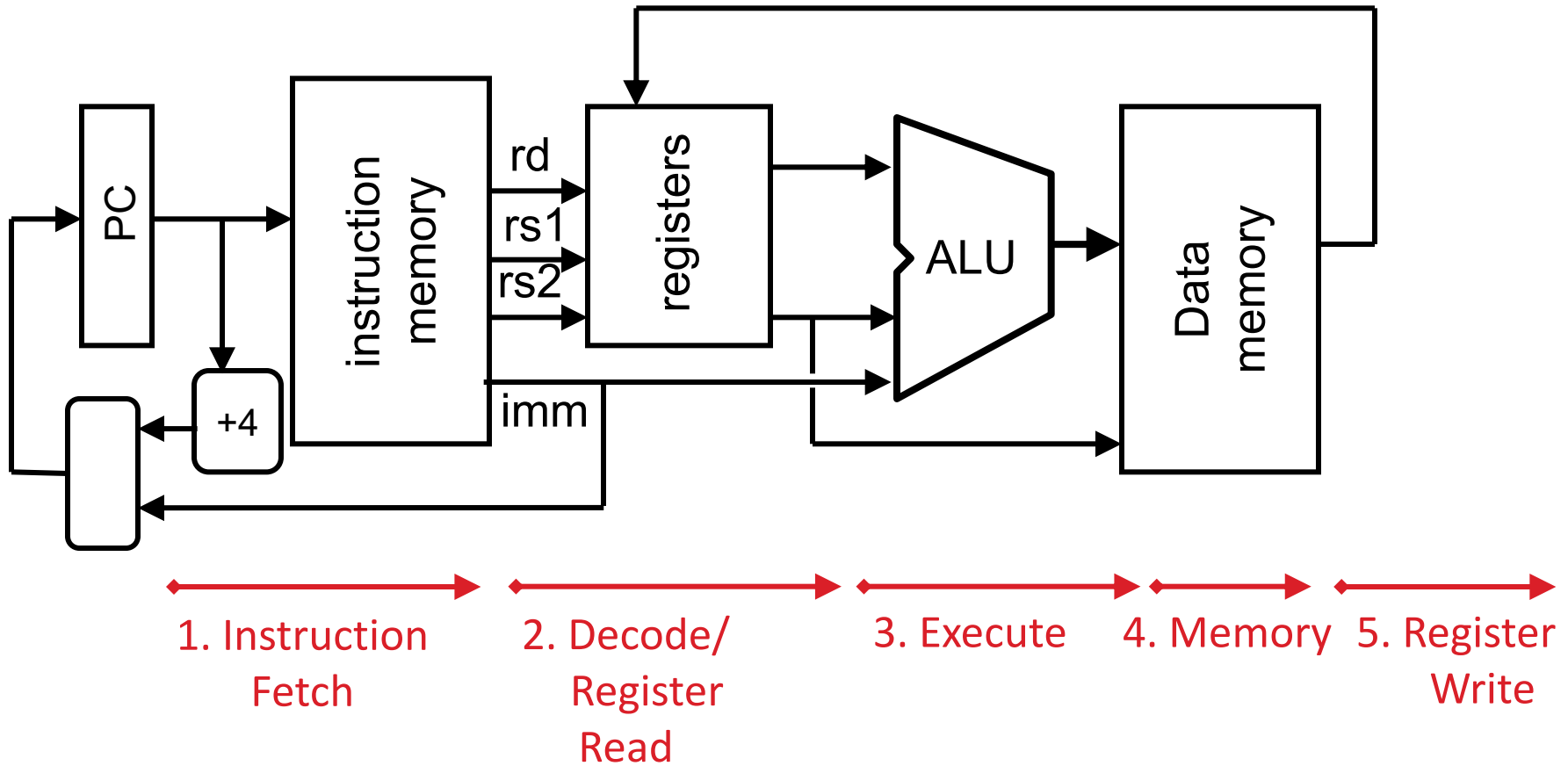
Stages of Execution (4/5)

- Stage 4: Memory Access
 - actually only the load and store instructions do anything during this stage; the others remain idle during this stage or skip it all together
 - since these instructions have a unique step, we need this extra stage to account for them
 - as a result of the cache system, this stage is expected to be fast

Stages of Execution (5/5)

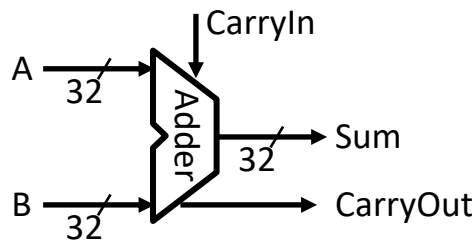
- Stage 5: Register Write
 - most instructions write the result of some computation into a register
 - examples: arithmetic, logical, shifts, loads, jumps
 - what about stores, branches?
 - don't write anything into a register at the end
 - these remain idle during this fifth stage

Stages of Execution on Datapath

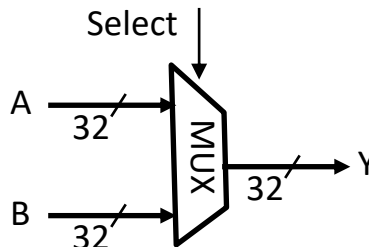


Datapath Components: Combinational

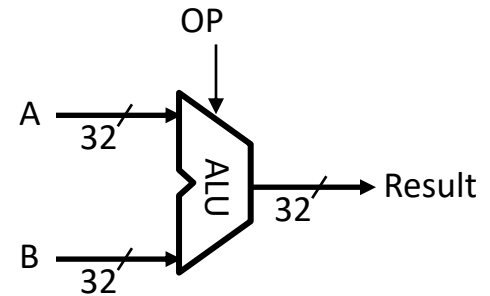
- Combinational Elements



Adder



Multiplexer

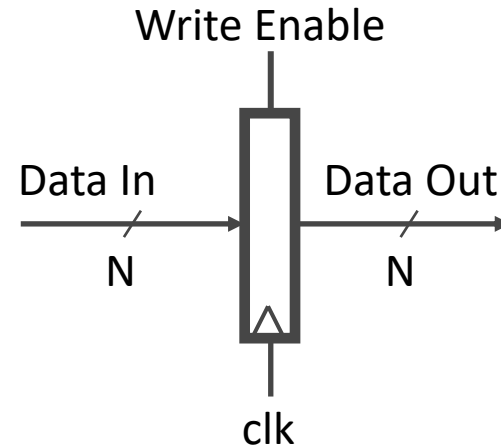


ALU

- Storage Elements + Clocking Methodology
- Building Blocks

Datapath Elements: State and Sequencing (1/3)

- Register



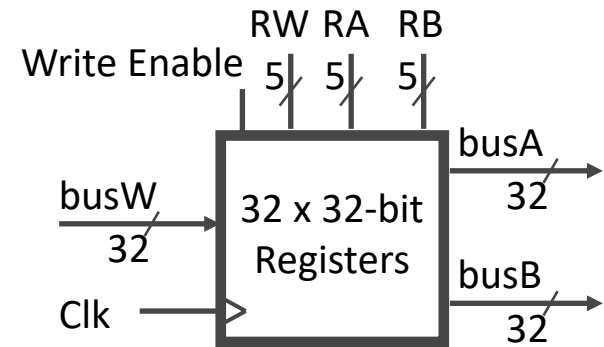
- Write Enable:

- Negated (or deasserted) (0):
Data Out will not change

- Asserted (1): Data Out will become Data In on positive edge of clock

Datapath Elements: State and Sequencing (2/3)

- Register file (regfile, RF) consists of 32 registers
 - Two 32-bit output busses: busA and busB
 - One 32-bit input bus: busW
 - In one clock cycle can read two registers and write another!

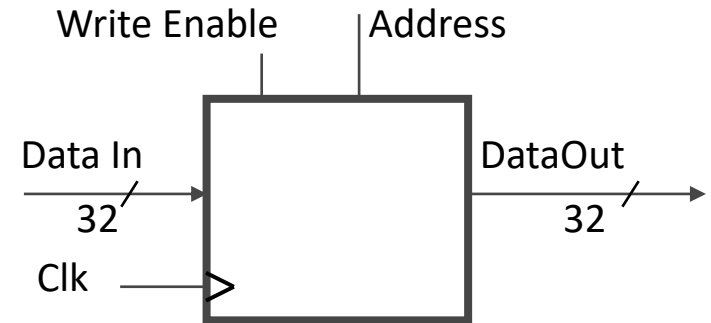


- Register is selected by:
 - RA (number) selects the register to put on busA (data)
 - RB (number) selects the register to put on busB (data)
 - RW (number) selects the register to be written via busW (data) when Write Enable is 1
- Clock input (clk)
 - Clk input is a factor ONLY during write operation
 - During read operation, behaves as a combinational logic block:
 - RA or RB valid \Rightarrow busA or busB valid after “access time.”

Memory Size of Register File?

Datapath Elements: State and Sequencing (3/3)

- “Magic” Memory
 - One input bus: Data In
 - One output bus: Data Out



- Memory word is found by:
 - For Read: Address selects the word to put on Data Out
 - For Write: Set Write Enable = 1: address selects the memory word to be written via the Data In bus
- Clock input (CLK)
 - CLK input is a factor ONLY during write operation
 - During read operation, behaves as a combinational logic block: Address valid \Rightarrow Data Out valid after “access time”

State Required by RV32I ISA

Each instruction reads and updates this state during execution:

- Registers (**x0** . . **x31**)
 - Register file (*regfile*) **Reg** holds 32 registers x 32 bits/register: **Reg[0]** . . **Reg[31]**
 - First register read specified by *rs1* field in instruction
 - Second register read specified by *rs2* field in instruction
 - Write register (destination) specified by *rd* field in instruction
 - **x0** is always 0 (writes to **Reg[0]** are ignored)
- Program Counter (**PC**)
 - Holds address of current instruction
- Memory (**MEM**)
 - Holds both instructions & data, in one 32-bit byte-addressed memory space
 - We'll use separate memories for instructions (**IMEM**) and data (**DMEM**)
 - *These are placeholders for instruction and data caches*
 - Instructions are read (*fetched*) from instruction memory (assume **IMEM** read-only)
 - Load/store instructions access data memory

Review: Complete RV32I ISA

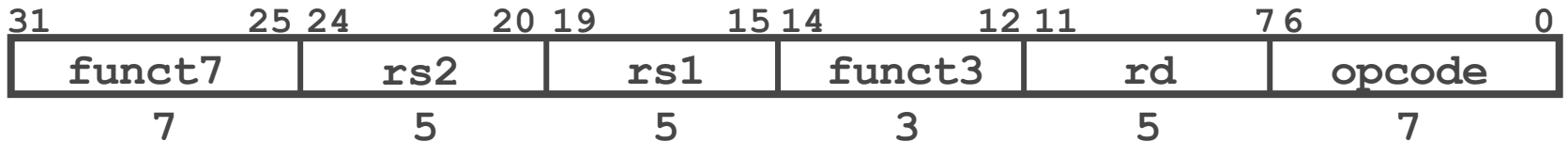
imm[31:12]				rd	0110111	LUI	
imm[31:12]				rd	0010111	AUIPC	
imm[20 10:1 11 19:12]				rd	1101111	JAL	
imm[11:0]		rs1	000	rd	1100111	JALR	
imm[12 10:5]	rs2	rs1	000	imm[4:1 11]	1100011	BEQ	
imm[12 10:5]	rs2	rs1	001	imm[4:1 11]	1100011	BNE	
imm[12 10:5]	rs2	rs1	100	imm[4:1 11]	1100011	BLT	
imm[12 10:5]	rs2	rs1	101	imm[4:1 11]	1100011	BGE	
imm[12 10:5]	rs2	rs1	110	imm[4:1 11]	1100011	BLTU	
imm[12 10:5]	rs2	rs1	111	imm[4:1 11]	1100011	BGEU	
imm[11:0]		rs1	000	rd	0000011	LB	
imm[11:0]		rs1	001	rd	0000011	LH	
imm[11:0]		rs1	010	rd	0000011	LW	
imm[11:0]		rs1	100	rd	0000011	LBU	
imm[11:0]		rs1	101	rd	0000011	LHU	
imm[11:5]		rs2	rs1	000	imm[4:0]	0100011	SB
imm[11:5]		rs2	rs1	001	imm[4:0]	0100011	SH
imm[11:5]		rs2	rs1	010	imm[4:0]	0100011	SW
imm[11:0]		rs1	000	rd	0010011	ADDI	
imm[11:0]		rs1	010	rd	0010011	SLTI	
imm[11:0]		rs1	011	rd	0010011	SLTIU	
imm[11:0]		rs1	100	rd	0010011	XORI	
imm[11:0]		rs1	110	rd	0010011	ORI	
imm[11:0]		rs1	111	rd	0010011	ANDI	

0000000	shamt	rs1	001	rd	0010011	SLLI	
0000000	shamt	rs1	101	rd	0010011	SRLI	
0100000	shamt	rs1	101	rd	0010011	SRAI	
0000000	rs2	rs1	000	rd	0110011	ADD	
0100000	rs2	rs1	000	rd	0110011	SUB	
0000000	rs2	rs1	001	rd	0110011	SLL	
0000000	rs2	rs1	010	rd	0110011	SLT	
0000000	rs2	rs1	011	rd	0110011	SLTU	
0000000	rs2	rs1	100	rd	0110011	XOR	
0000000	rs2	rs1	101	rd	0110011	SRL	
0100000	rs2	rs1	101	rd	0110011	SRA	
0000000	rs2	rs1	110	rd	0110011	OR	
0000000	rs2	rs1	111	rd	0110011	AND	
0000	pred	succ	00000	000	00000	0001111	FENCE
0000	0000	0000	00000	001	00000	0001111	FENCE.I
0000000000000			00000	000	00000	1110011	ECALL
0000000000001			00000	000	00000	1110011	EBREAK
csr		rs1	001	rd	1110011	CSRRLW	
csr		rs1	010	rd	1110011	CSRRS	
csr		rs1	011	rd	1110011	CSRRC	
csr		zimm	101	rd	1110011	CSRRLWI	
csr		zimm	110	rd	1110011	CSRRSI	
csr		zimm	111	rd	1110011	CSRRCI	

Not in CA

- Need datapath and control to implement these instructions

Implementing the **add** instruction



add rs2 rs1 add rd Reg-Reg OP

add rd, rs1, rs2

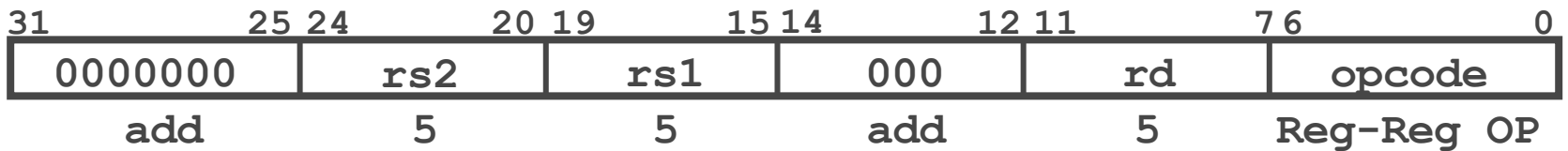
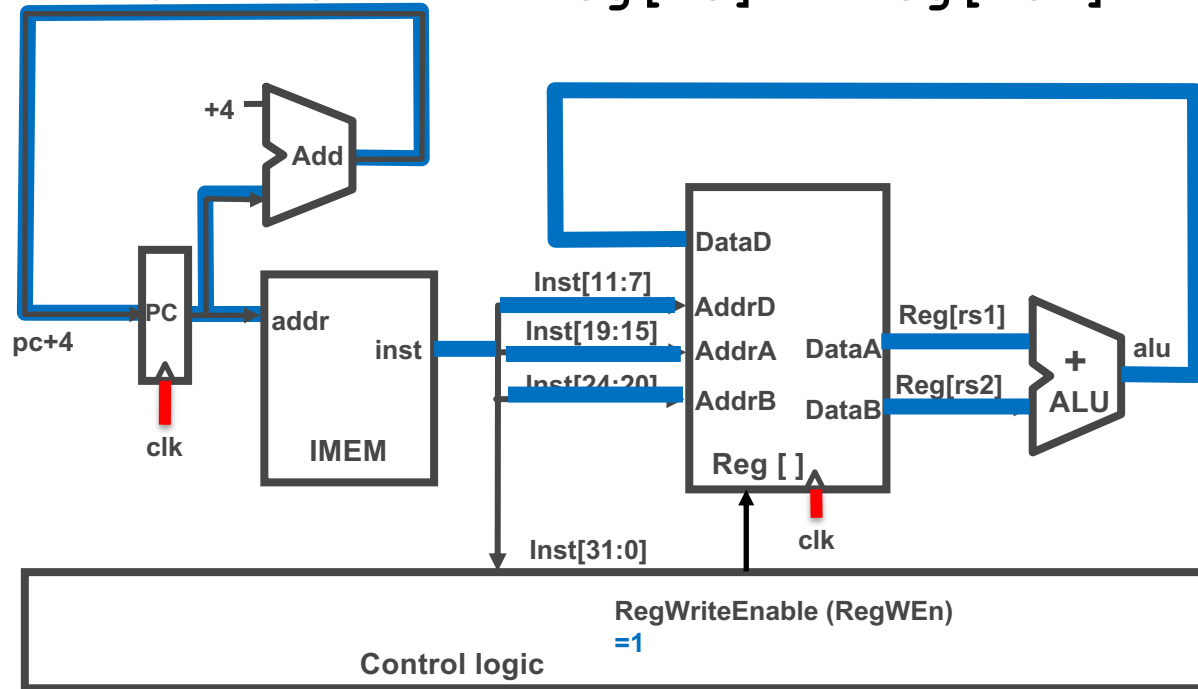
- Instruction makes two changes to machine's state:

– **Reg[rd] = Reg[rs1] + Reg[rs2]**

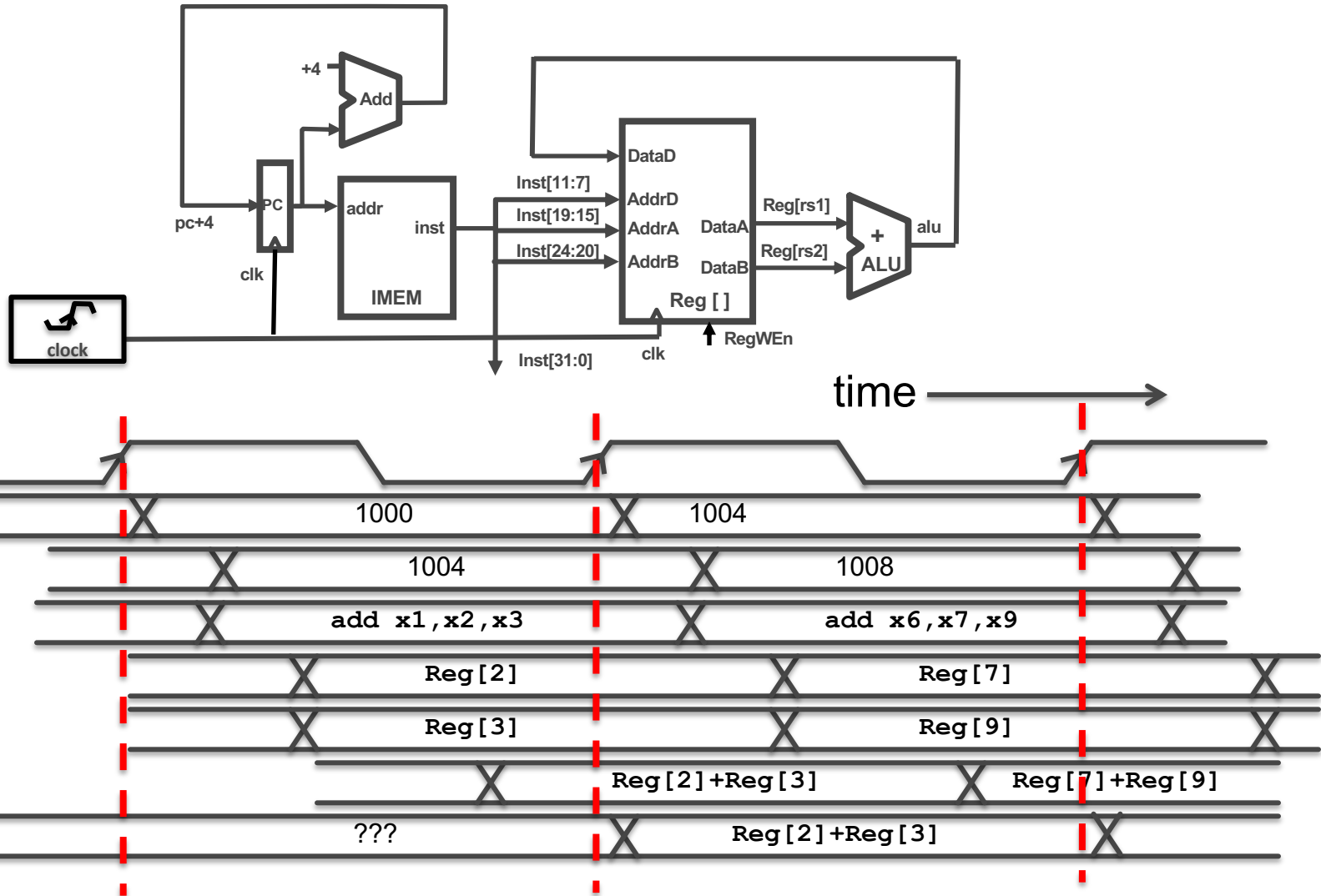
– **PC = PC + 4**

Datapath for add

$$PC = PC + 4 \quad \text{Reg}[rd] = \text{Reg}[rs1] + \text{Reg}[rs2]$$



Timing Diagram for add



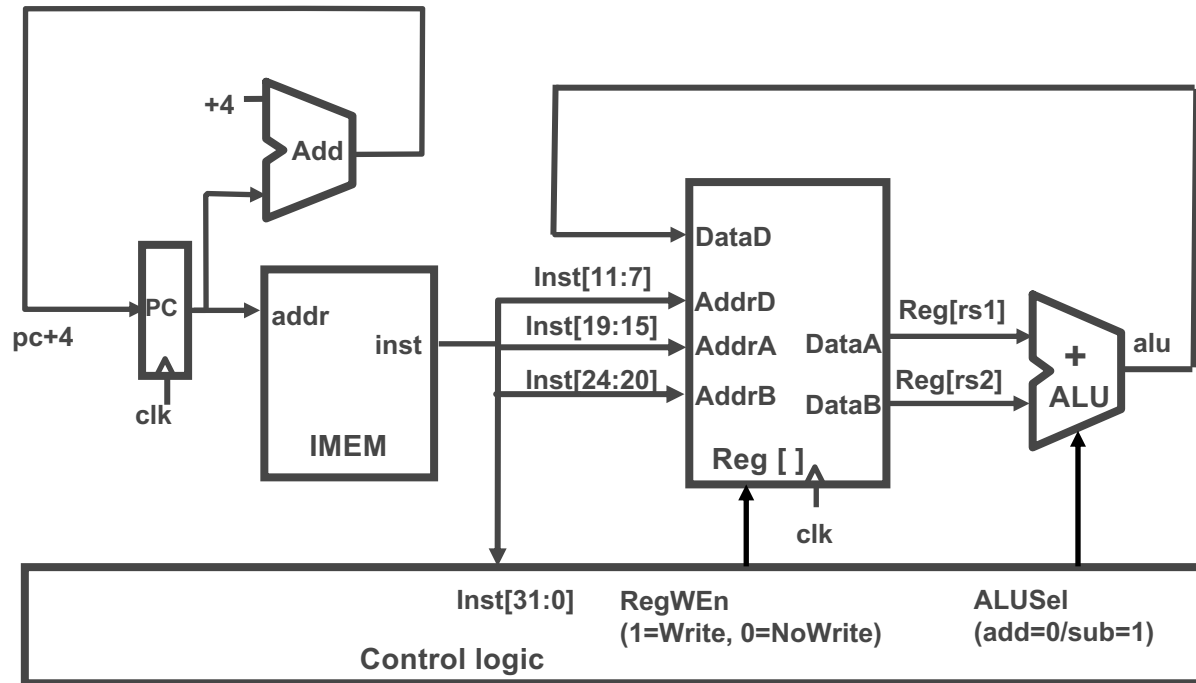
Implementing the **sub** instruction

31	25 24	20 19	15 14	12 11	7 6	0	
0000000	rs2	rs1	000	rd	0110011		add
0100000	rs2	rs1	000	rd	0110011		sub

sub rd, rs1, rs2

- Almost the same as add, except now have to subtract operands instead of adding them
- **inst[30]** selects between add and subtract

Datapath for add/sub



Implementing other R-Format instructions

0000000	rs2	rs1	000	rd	0110011	add
0100000	rs2	rs1	000	rd	0110011	sub
0000000	rs2	rs1	001	rd	0110011	sll
0000000	rs2	rs1	010	rd	0110011	slt
0000000	rs2	rs1	011	rd	0110011	sltu
0000000	rs2	rs1	100	rd	0110011	xor
0000000	rs2	rs1	101	rd	0110011	srl
0100000	rs2	rs1	101	rd	0110011	sra
0000000	rs2	rs1	110	rd	0110011	or
0000000	rs2	rs1	111	rd	0110011	and

- All implemented by decoding funct3 and funct7 fields and selecting appropriate ALU function

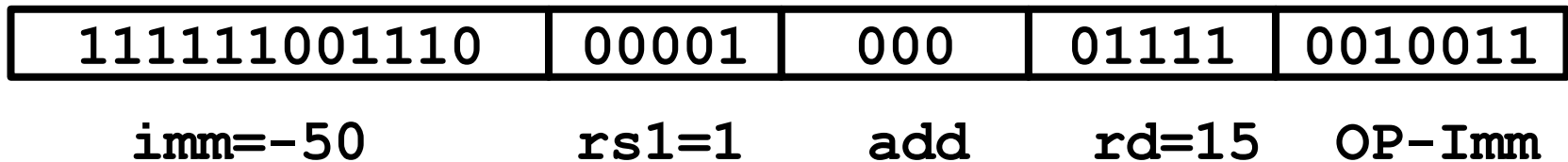
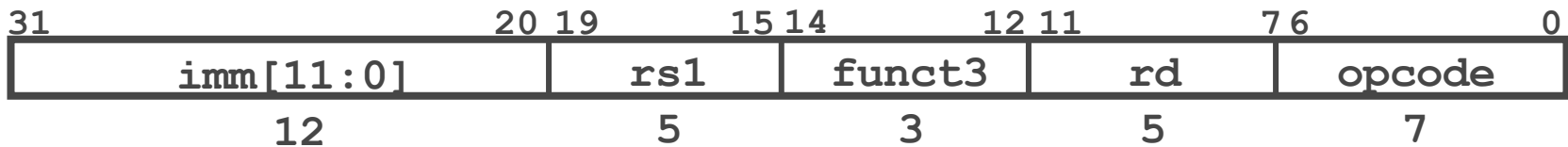
Question

- Select the statements that are TRUE:
 - A. The Clk->Q delay is not important for the Datapath.
 - B. The Datapath for add and sub are identical – the only difference is that the controller is signaling the ALU which instruction to execute.
 - C. The result of an instruction is written into the destination register as soon as it is ready.
 - D. The controller is getting the instruction during the fetch stage.
 - E. The datapath introduced so far contains two adders.

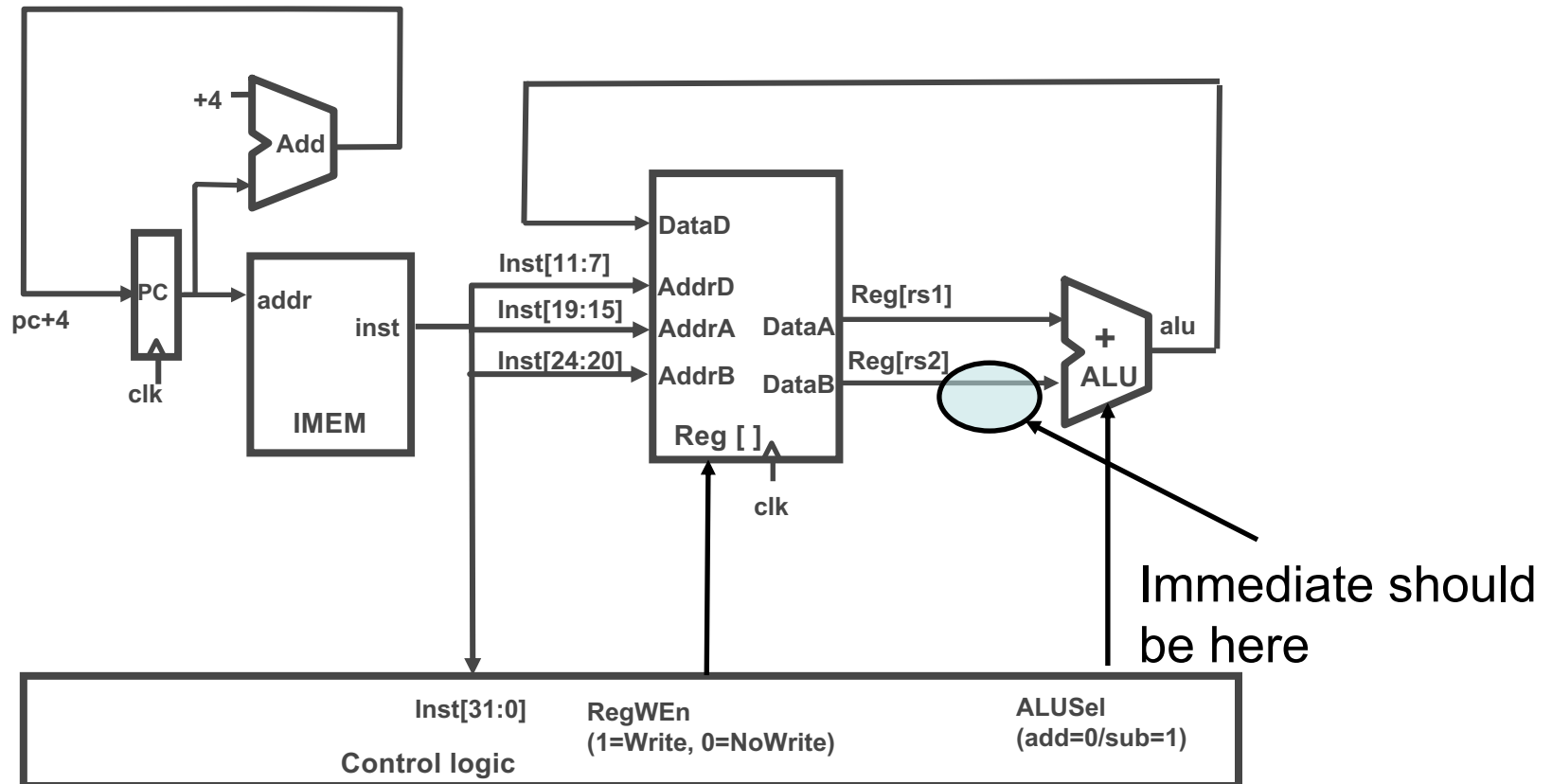
Implementing I-Format - `addi` instruction

- RISC-V Assembly Instruction:

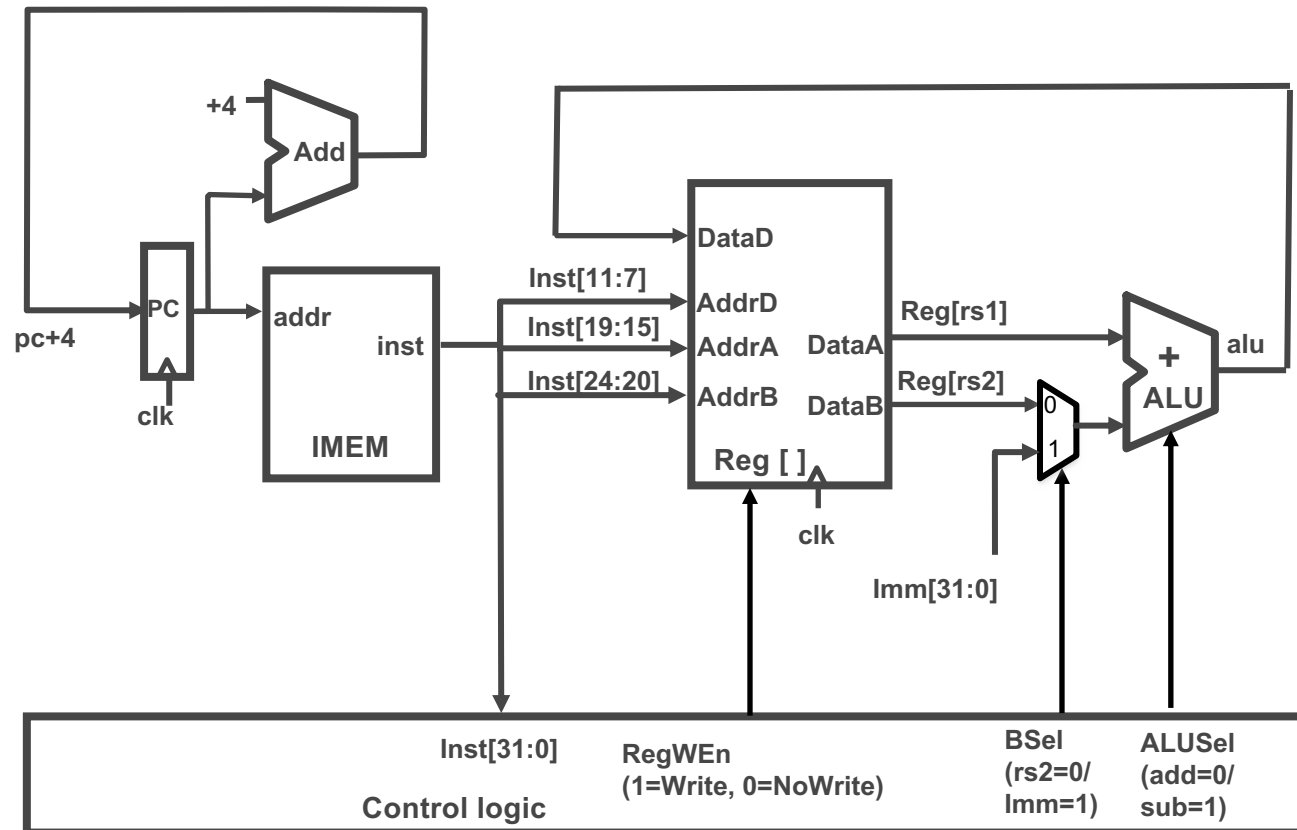
```
addi x15,x1,-50
```



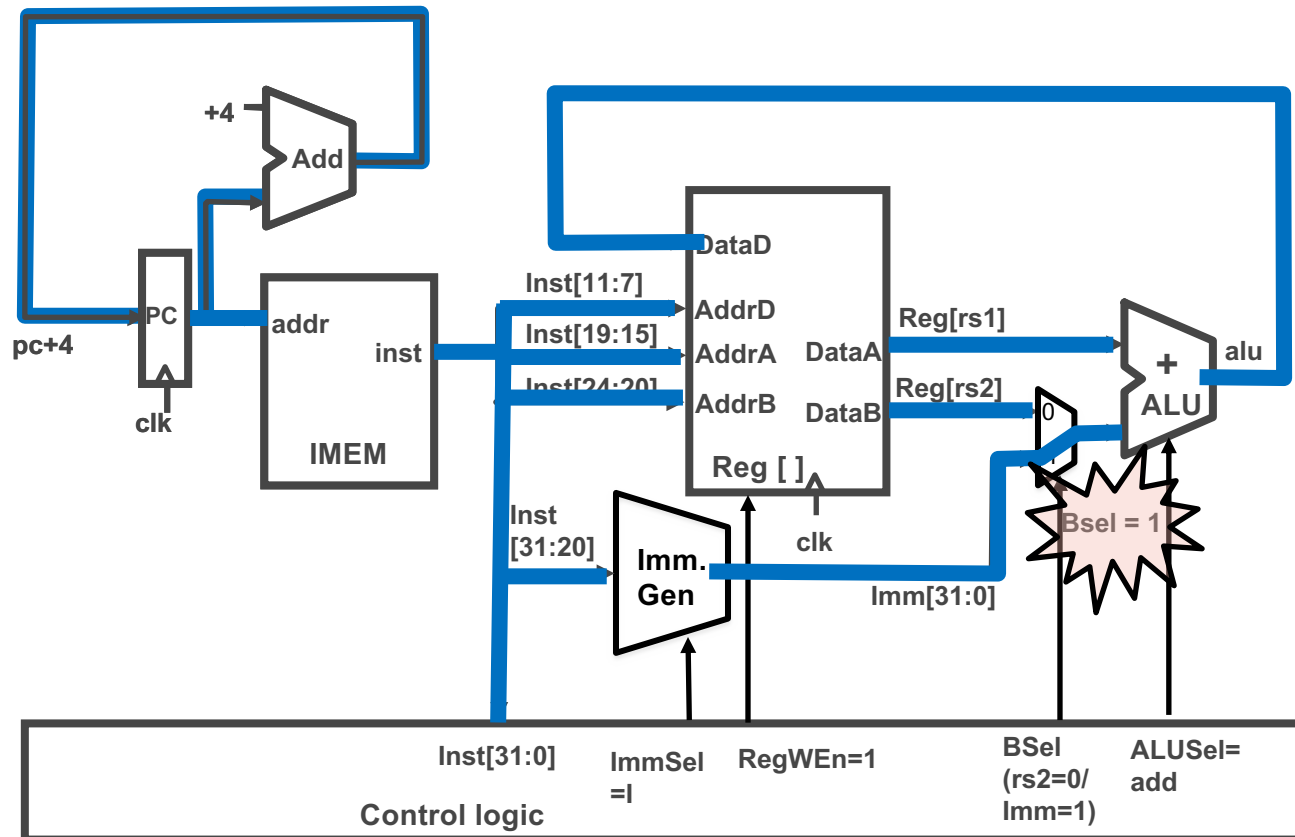
Datapath for add/sub



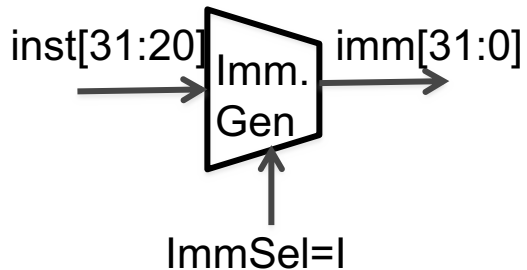
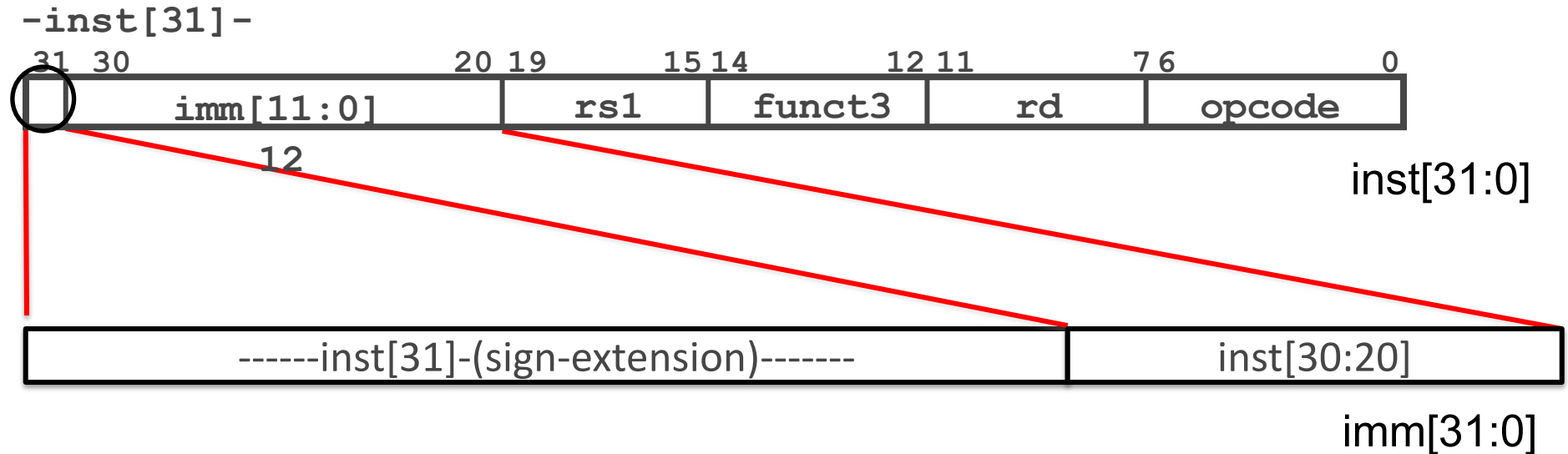
Adding addi to Datapath



Adding addi to Datapath

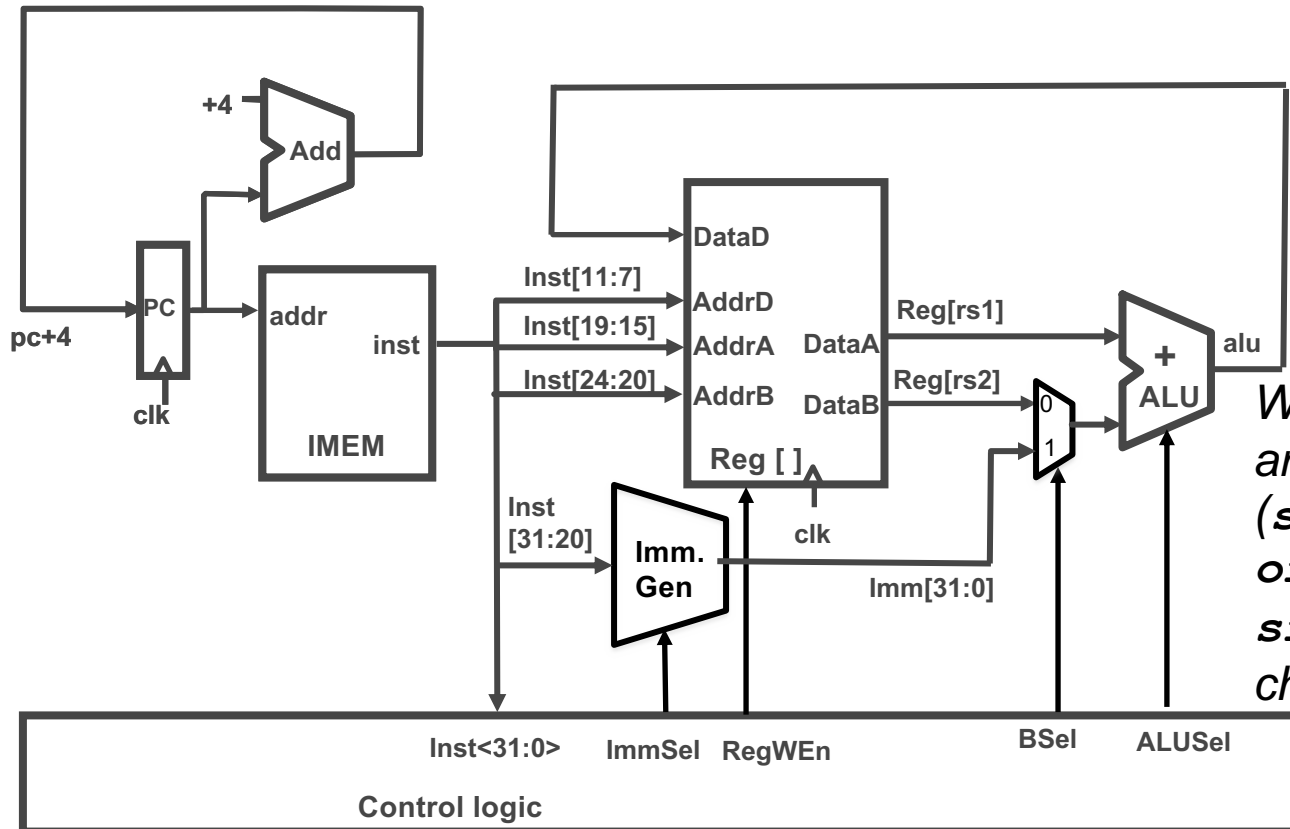


I-Format immediates



- High 12 bits of instruction ($inst[31:20]$) copied to low 12 bits of immediate ($imm[11:0]$)
- Immediate is sign-extended by copying value of $inst[31]$ to fill the upper 20 bits of the immediate value ($imm[31:12]$)

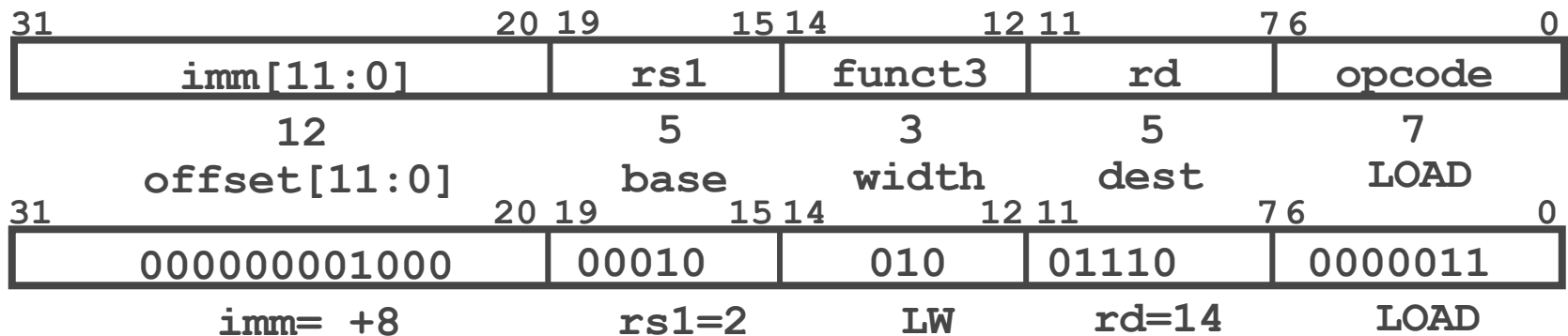
R+I Datapath



Works for all other I-format arithmetic instructions (`slti`, `sltiu`, `andi`, `ori`, `xori`, `slli`, `srli`, `srai`) just by changing $ALUSel$

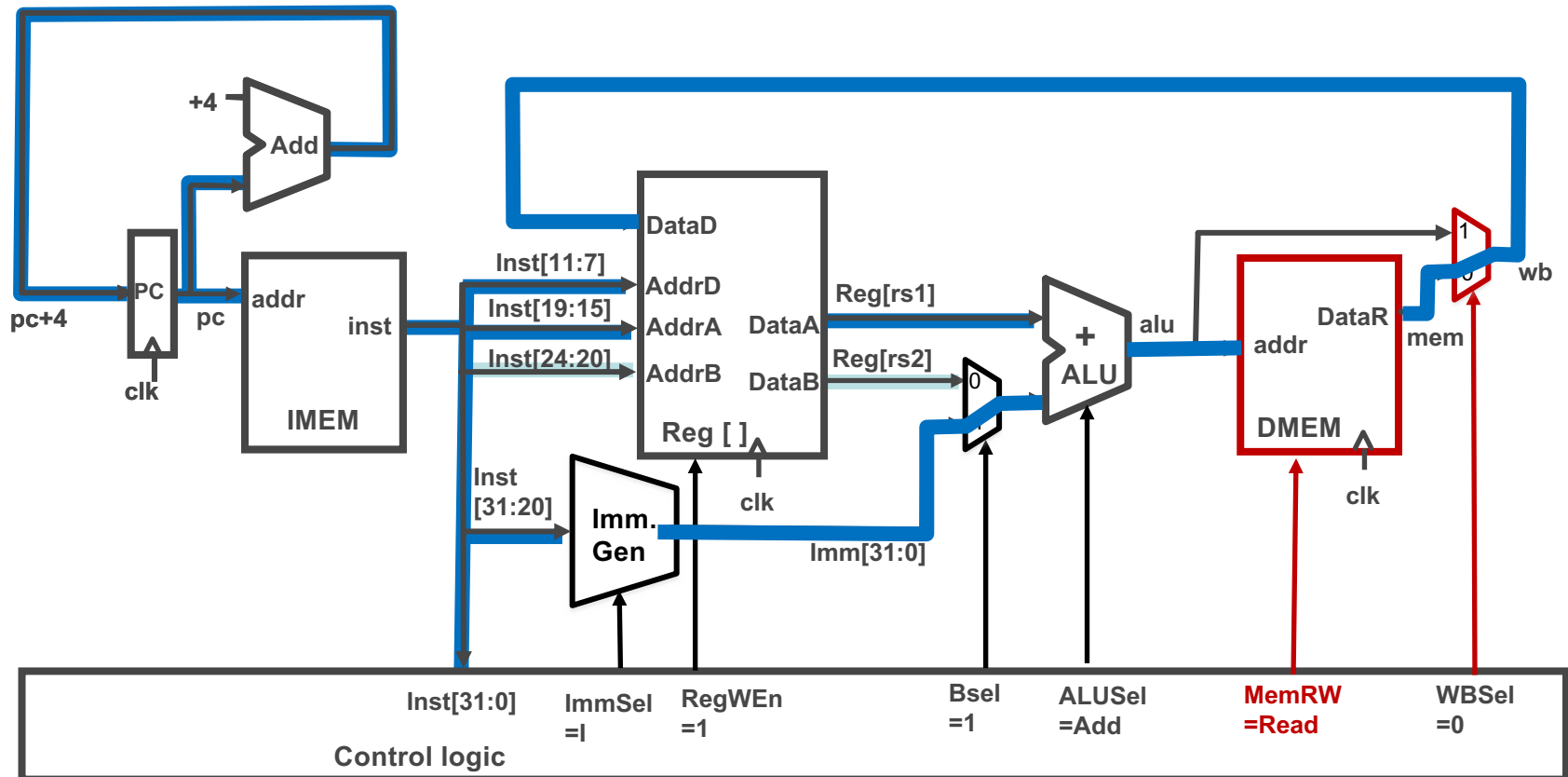
Add lw

- RISC-V Assembly Instruction (I-type): `lw x14, 8(x2)`



- The 12-bit signed immediate is added to the base address in register `rs1` to form the **memory** address
 - This is very similar to the add-immediate operation but used to create address not to create final result
- The value loaded from **memory** is stored in register `rd`

Adding lw to Datapath



All RV32 Load Instructions

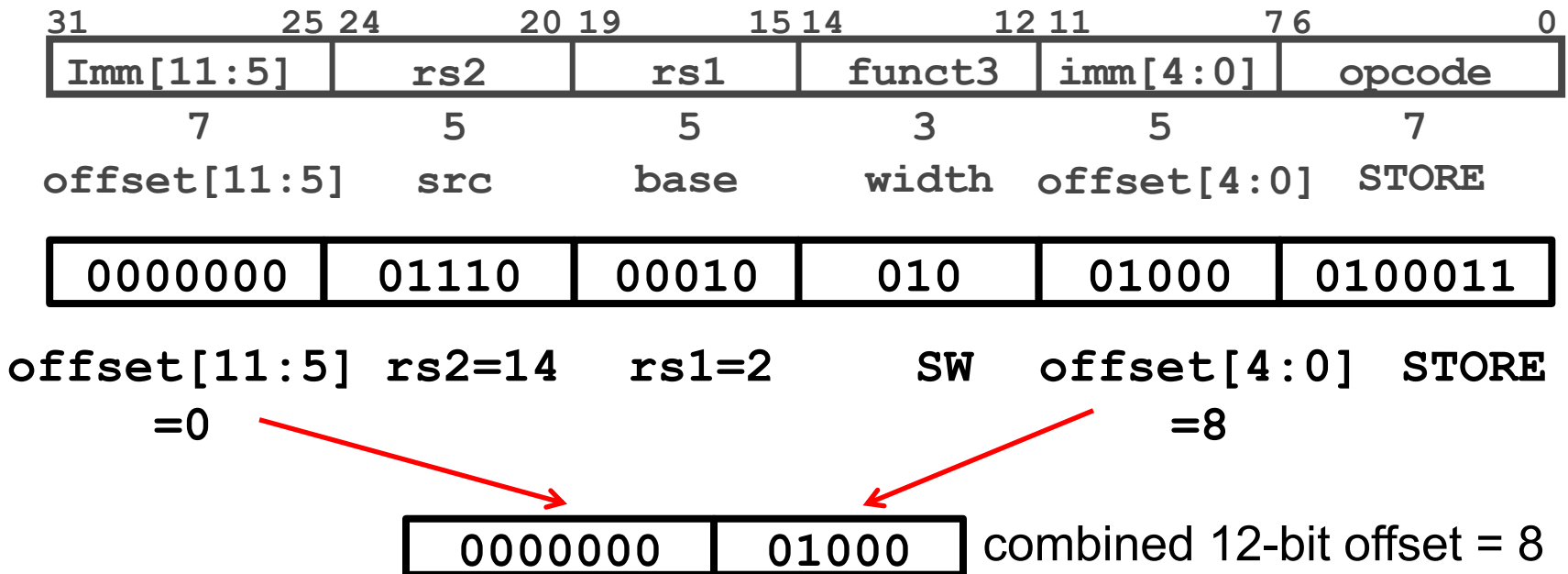
<code>imm[11:0]</code>	<code>rs1</code>	000	<code>rd</code>	0000011	<code>lb</code>
<code>imm[11:0]</code>	<code>rs1</code>	001	<code>rd</code>	0000011	<code>lh</code>
<code>imm[11:0]</code>	<code>rs1</code>	010	<code>rd</code>	0000011	<code>lw</code>
<code>imm[11:0]</code>	<code>rs1</code>	100	<code>rd</code>	0000011	<code>lbu</code>
<code>imm[11:0]</code>	<code>rs1</code>	101	<code>rd</code>	0000011	<code>lhu</code>

funct3 field encodes size and 'signedness' of load data

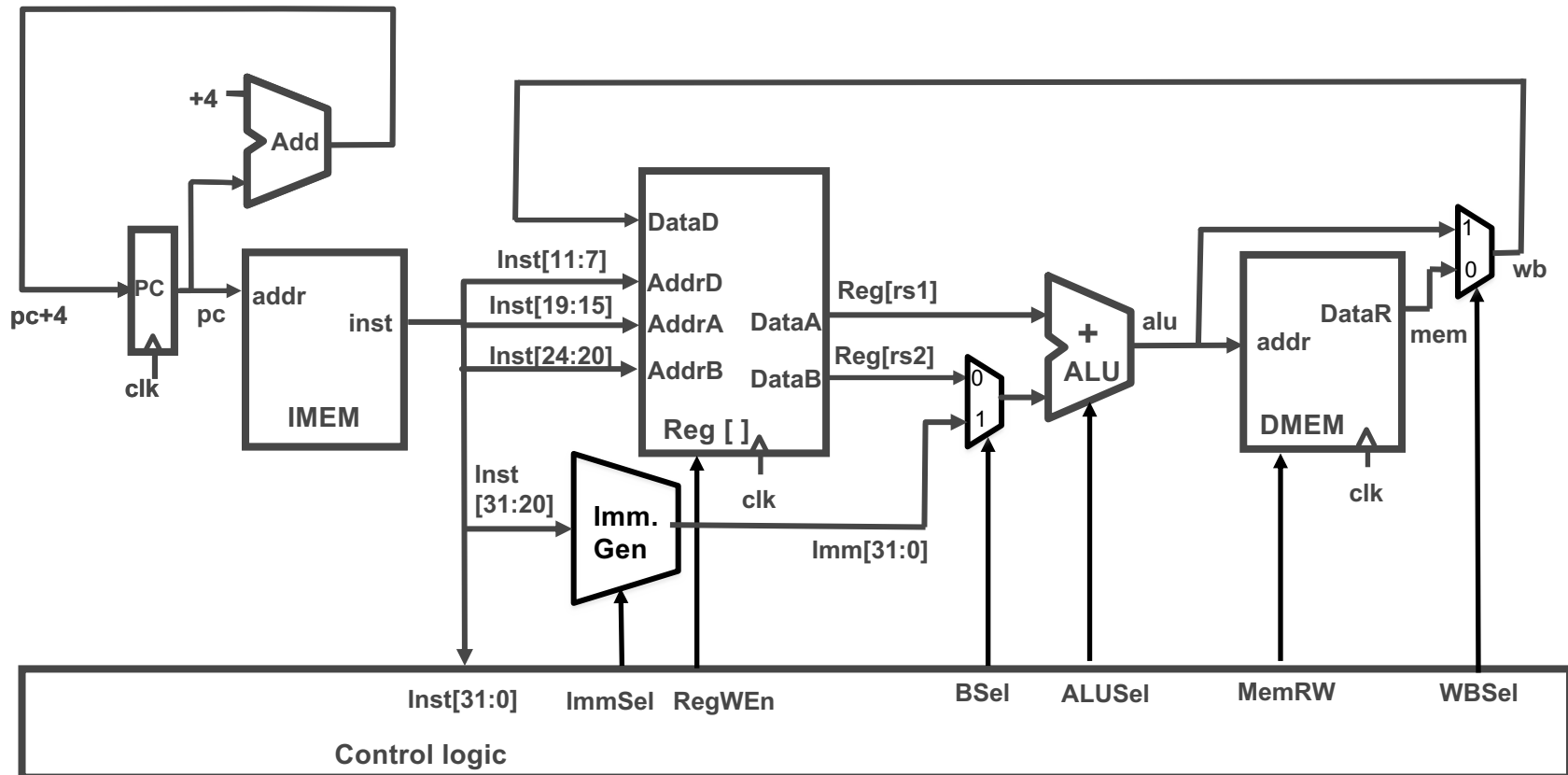
- Supporting the narrower loads requires additional logic to extract the correct byte/halfword from the value loaded from memory, and sign- or zero-extend the result to 32 bits before writing back to register file.
 - It is just a mux mod

Adding `sw` Instruction

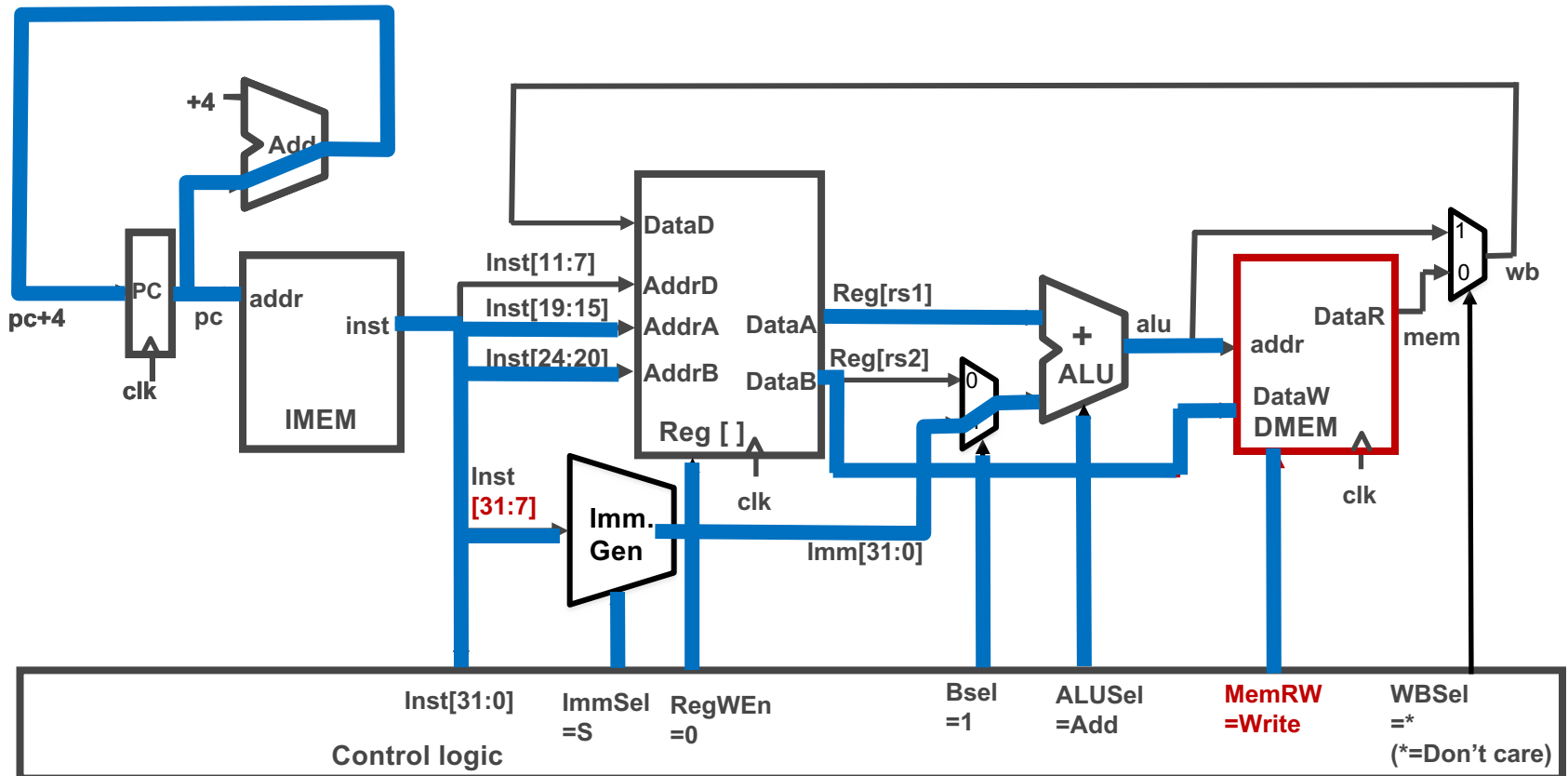
- `sw`: Reads two registers, `rs1` for base memory address, and `rs2` for data to be stored, as well immediate offset!
`sw x14, 8(x2)`



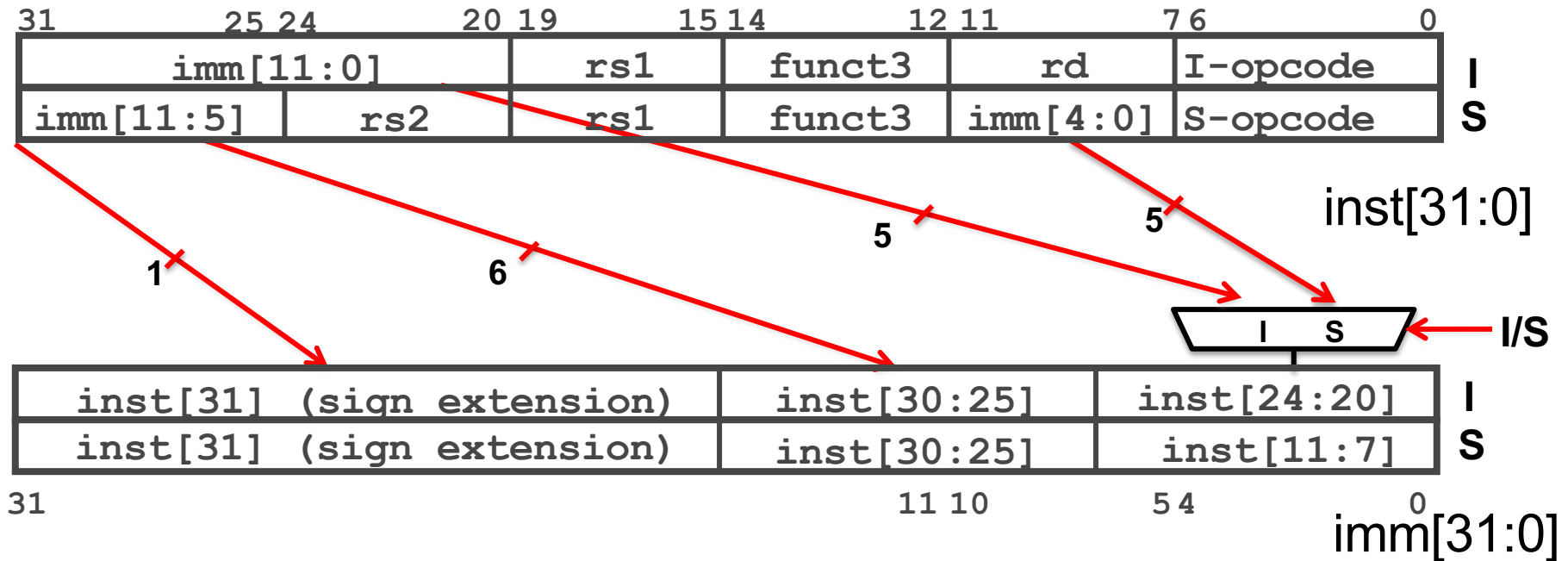
Datapath with `lw`



Adding sw to Datapath

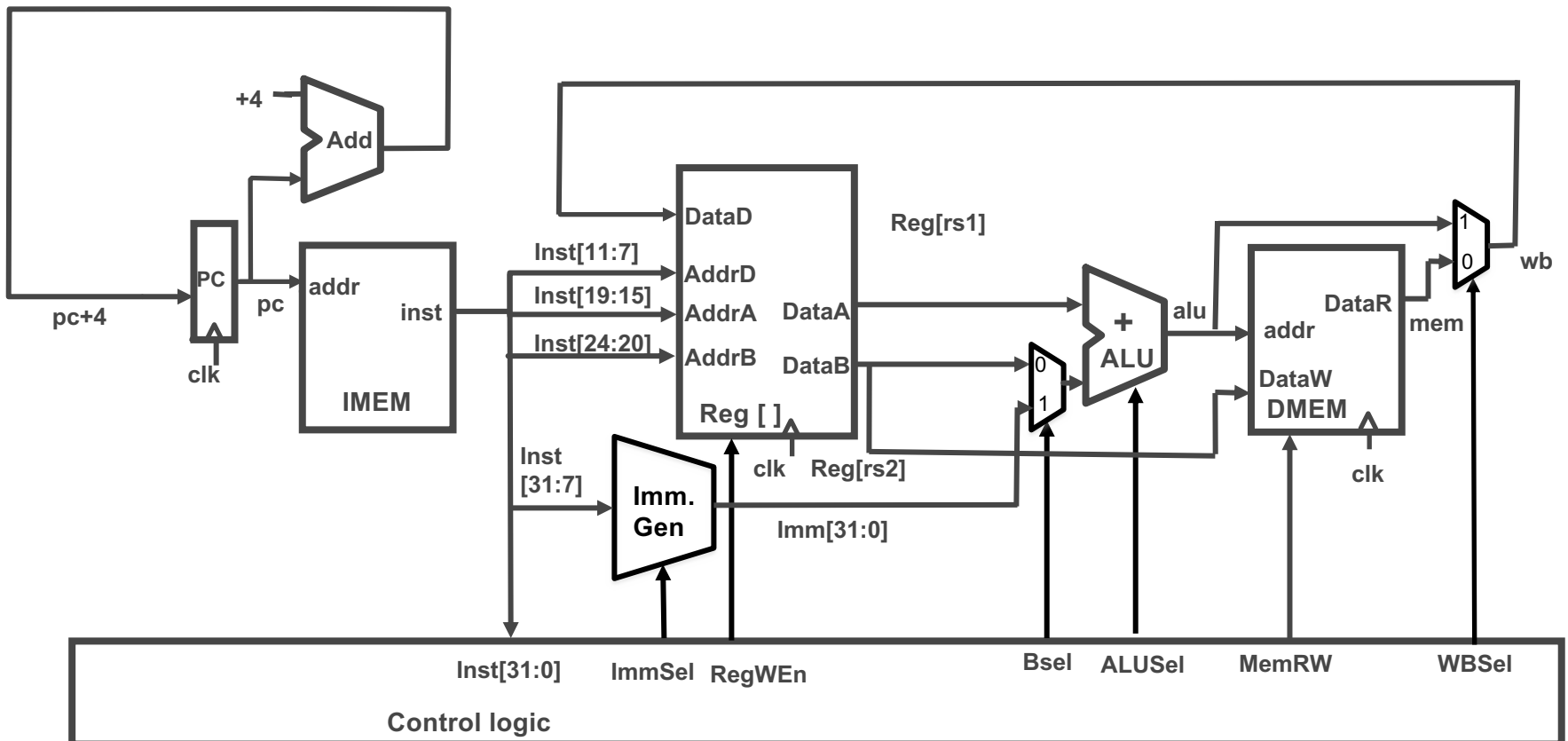


I+S Immediate Generation

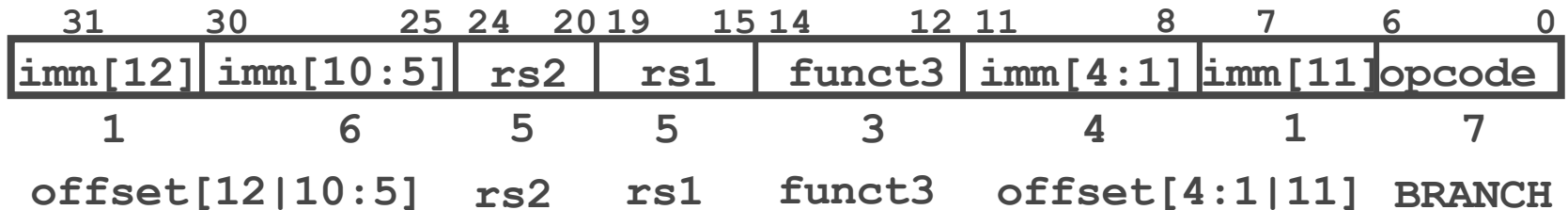


- Just need a 5-bit mux to select between two positions where low five bits of immediate can reside in instruction
- Other bits in immediate are wired to fixed positions in instruction

Datapath So Far



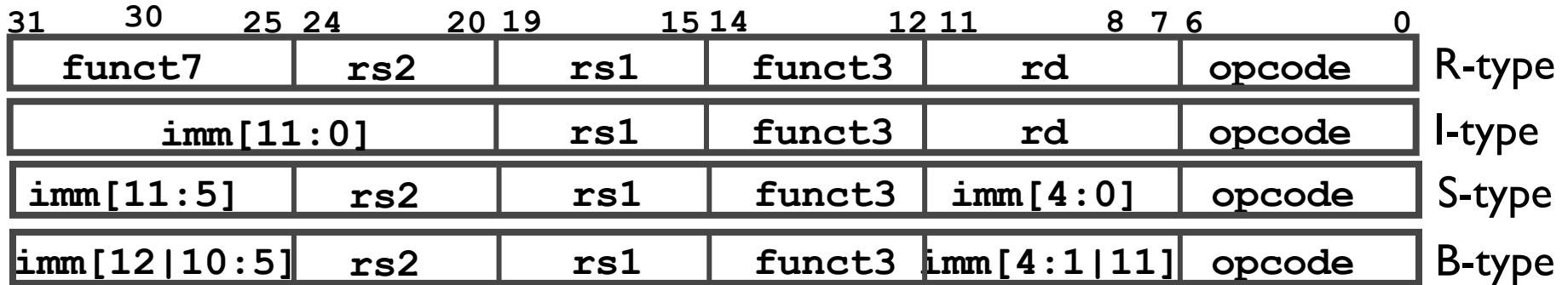
Implementing Branches



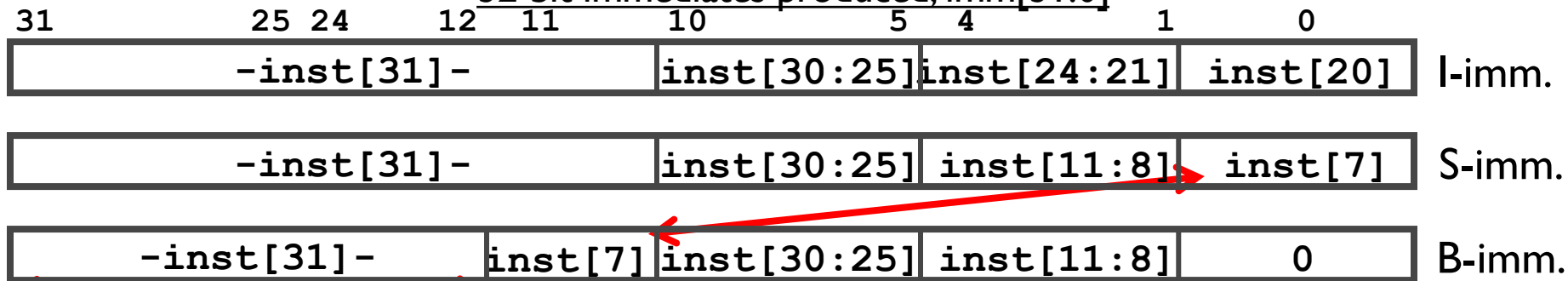
- B-format is mostly same as S-Format, with two register sources (rs1/ rs2) and a 12-bit immediate
- But now immediate represents values -4096 to +4094 in 2-byte increments
- The 12 immediate bits encode *even* 13-bit signed byte offsets (lowest bit of offset is always zero, so no need to store it)

RISC-V Immediate Encoding

Instruction encodings, inst[31:0]



32-bit immediates produced, imm[31:0]

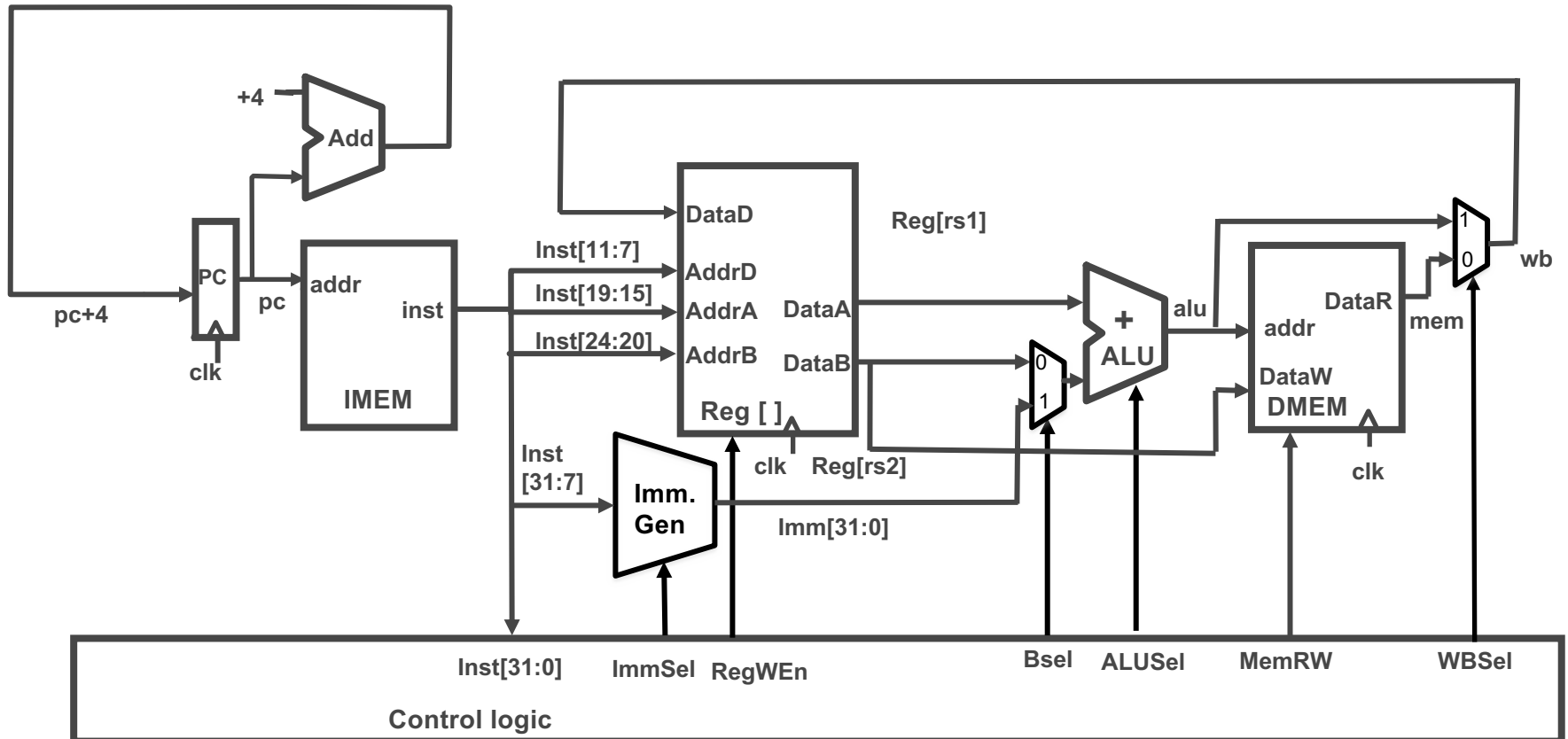


Upper bits sign-extended from inst[31]
always

Only bit 7 of instruction changes role in
immediate between S and B

Only one bit changes position between S and B, so only need
two single-bit 2-way mux!

Datapath So Far



Branches

- Different change to the state:

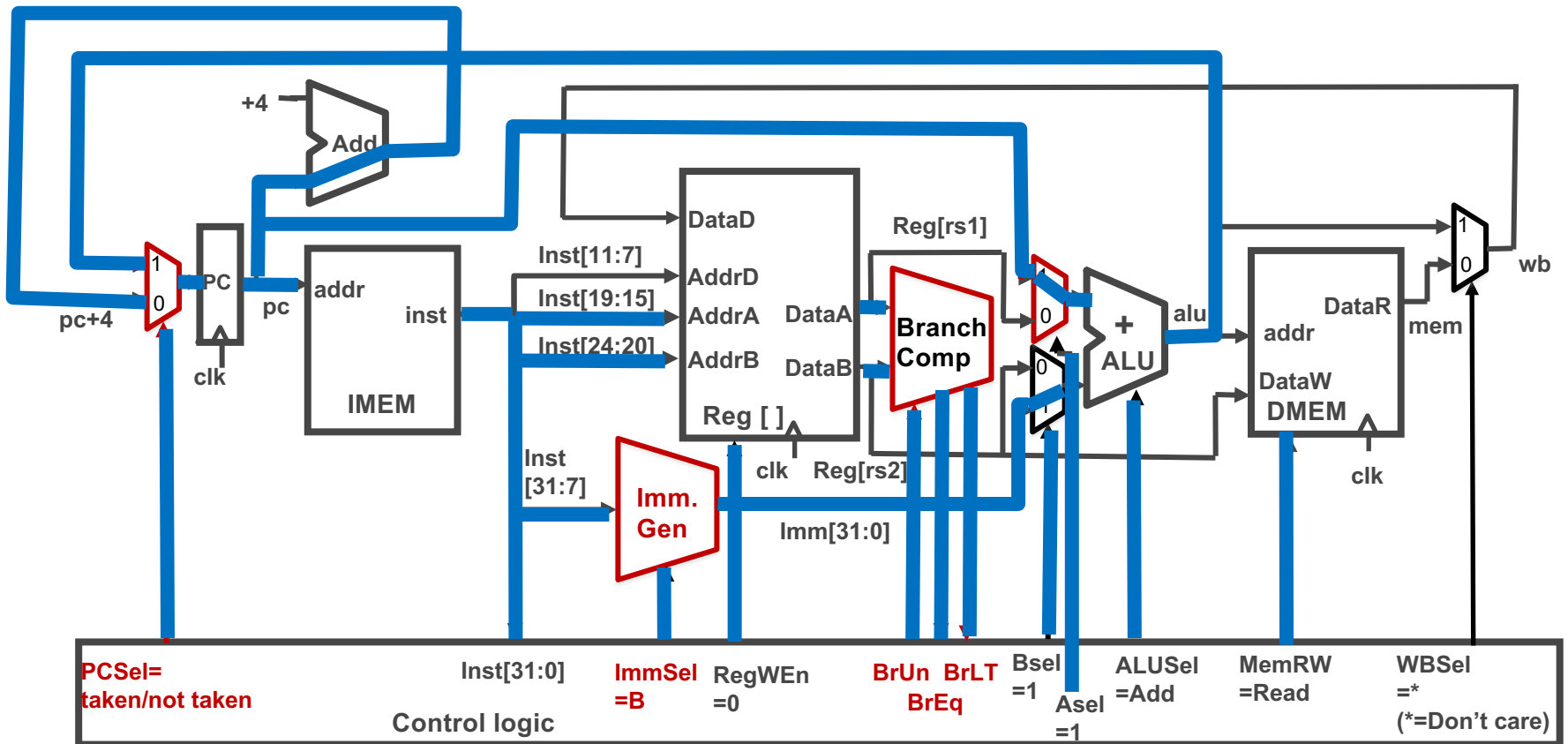
$$- \text{PC} = \begin{cases} \text{PC} + 4, & \text{branch not taken} \\ \text{PC} + \text{immediate}, & \text{branch taken} \end{cases}$$

- Six branch instructions:

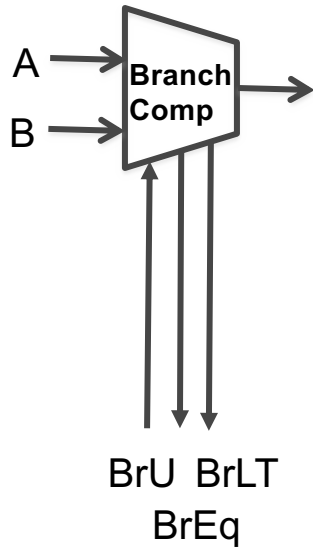
BEQ, BNE, BLT, BGE, BLTU, BGEU

- Need to compute $\text{PC} + \text{immediate}$ and to compare values of $rs1$ and $rs2$
 - But have only one ALU – need more hardware

Adding Branches



Branch Comparator

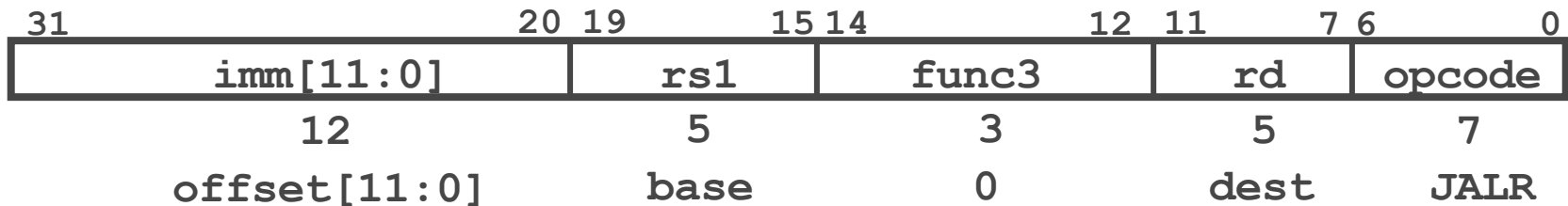


- BrEq = 1, if A=B
- BrLT = 1, if A < B
- BrUn =1 selects unsigned comparison for BrLT, 0=signed

- BGE branch: A >= B, if $\overline{A < B}$

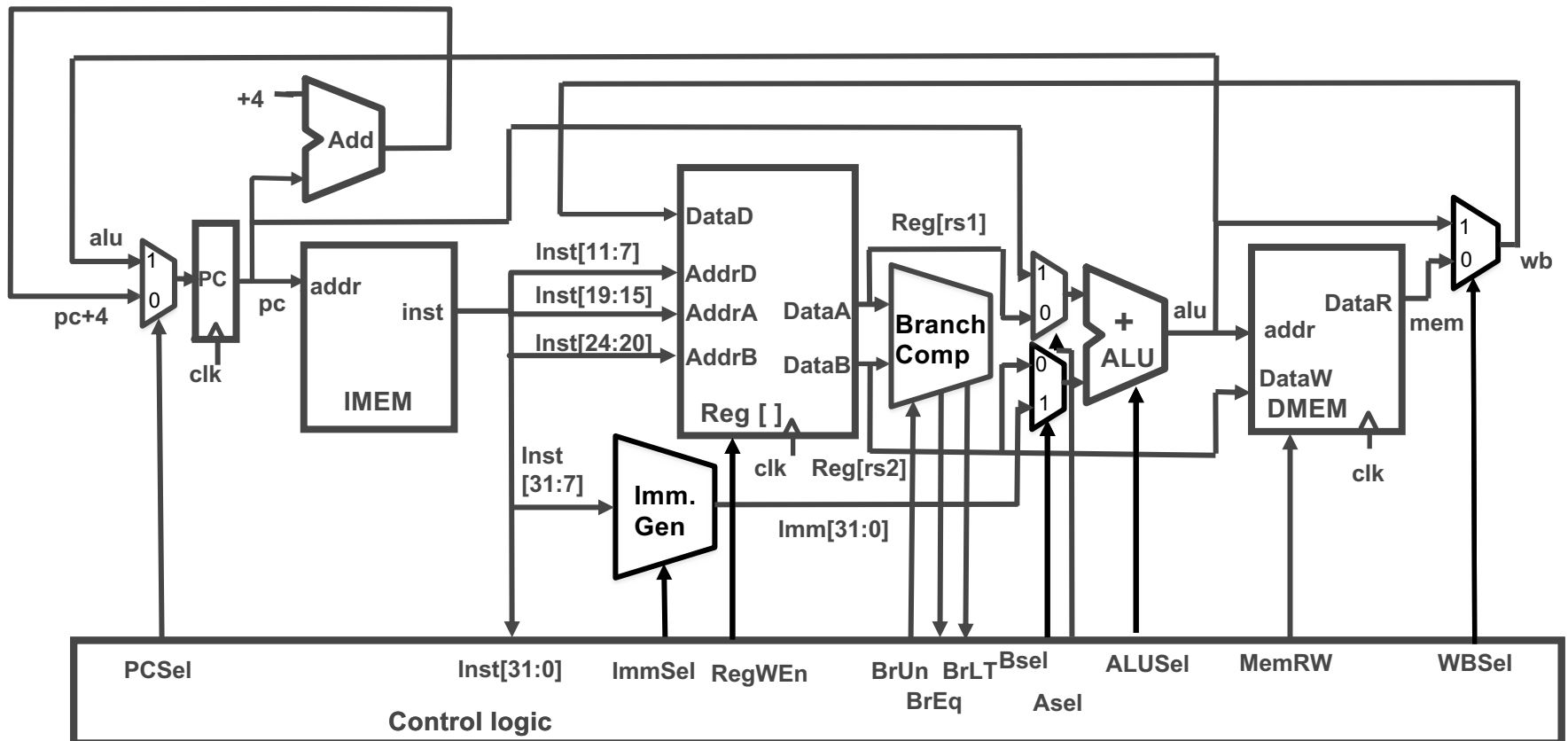
$$\overline{A < B} = !(A < B)$$

Let's Add JALR (I-Format)

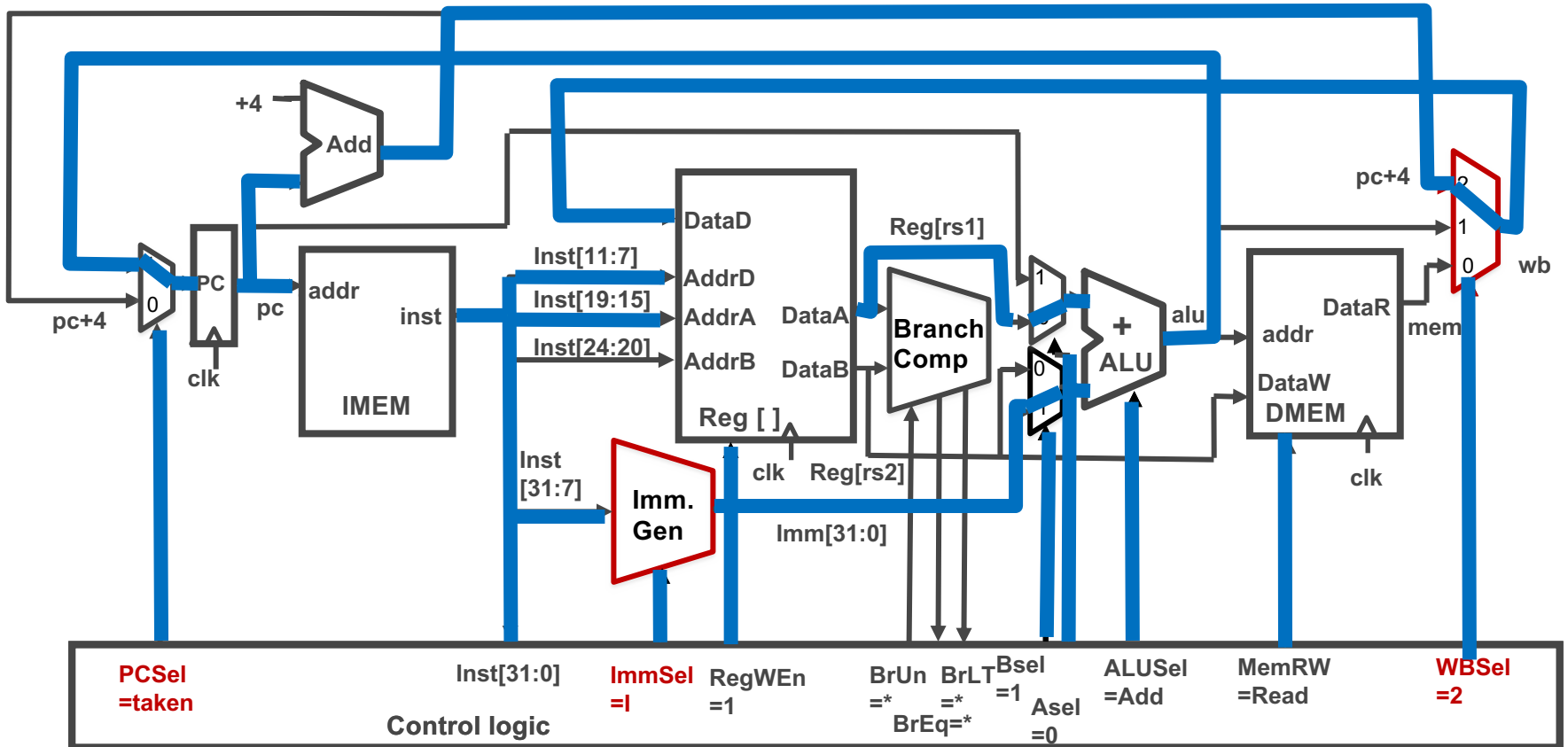


- JALR rd, rs, immediate
- Two changes to the state
 - Writes PC+4 to rd (return address)
 - Sets PC = rs + immediate
 - Uses same immediates as arithmetic and loads
 - **no** multiplication by 2 bytes
 - LSB is ignored

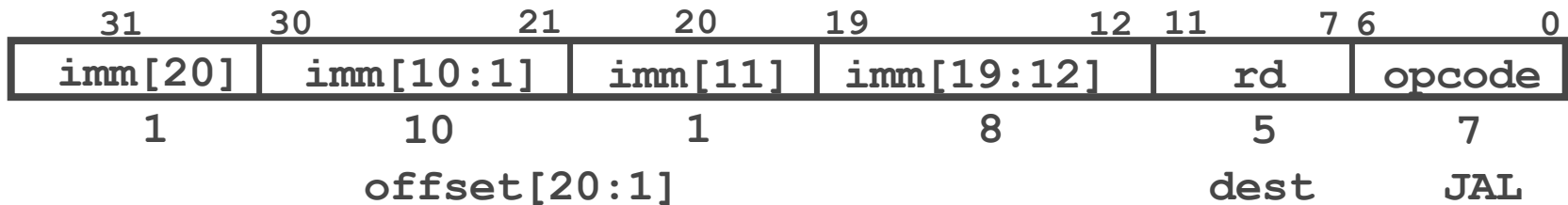
Datapath So Far, with Branches



Adding JALR

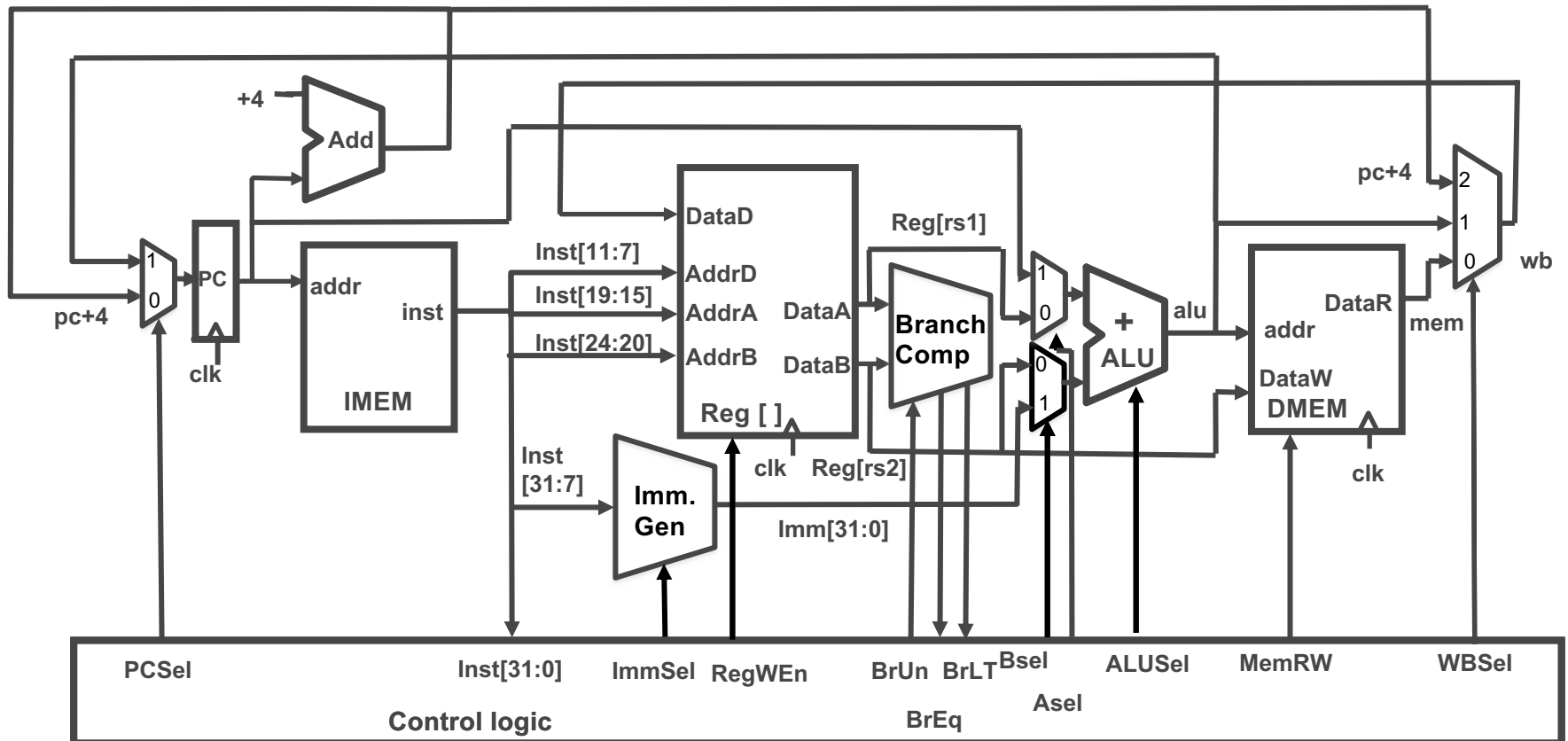


Adding JAL

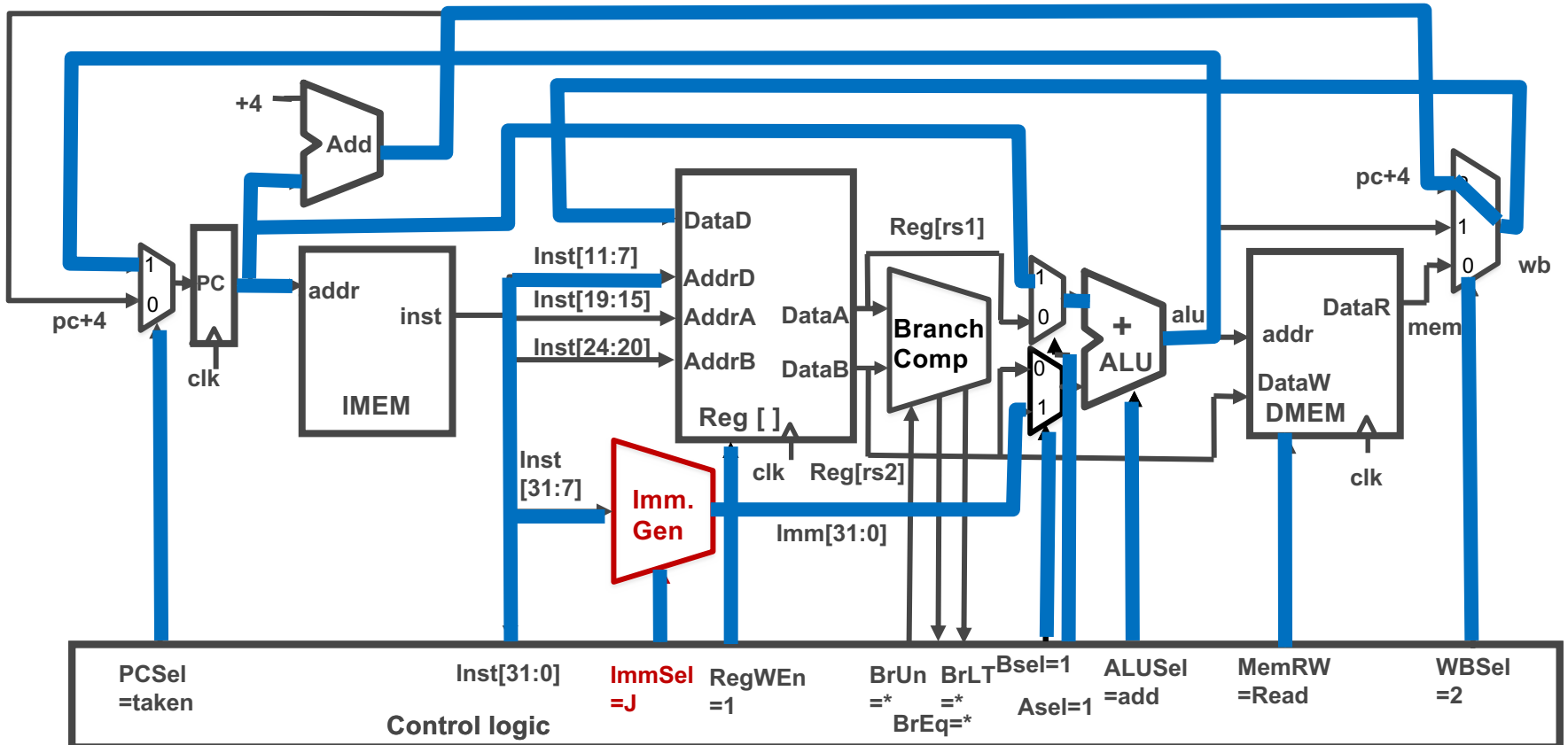


- JAL saves PC+4 in register rd (the return address)
- Set PC = PC + offset (PC-relative jump)
- Target somewhere within $\pm 2^{19}$ locations, 2 bytes apart
 - $\pm 2^{18}$ 32-bit instructions
- Immediate encoding optimized similarly to branch instruction to reduce hardware cost

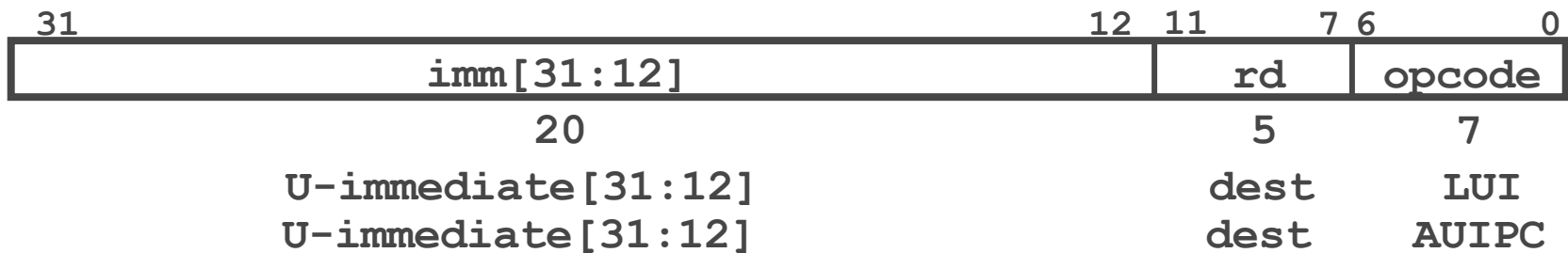
Datapath with JALR



Adding JAL

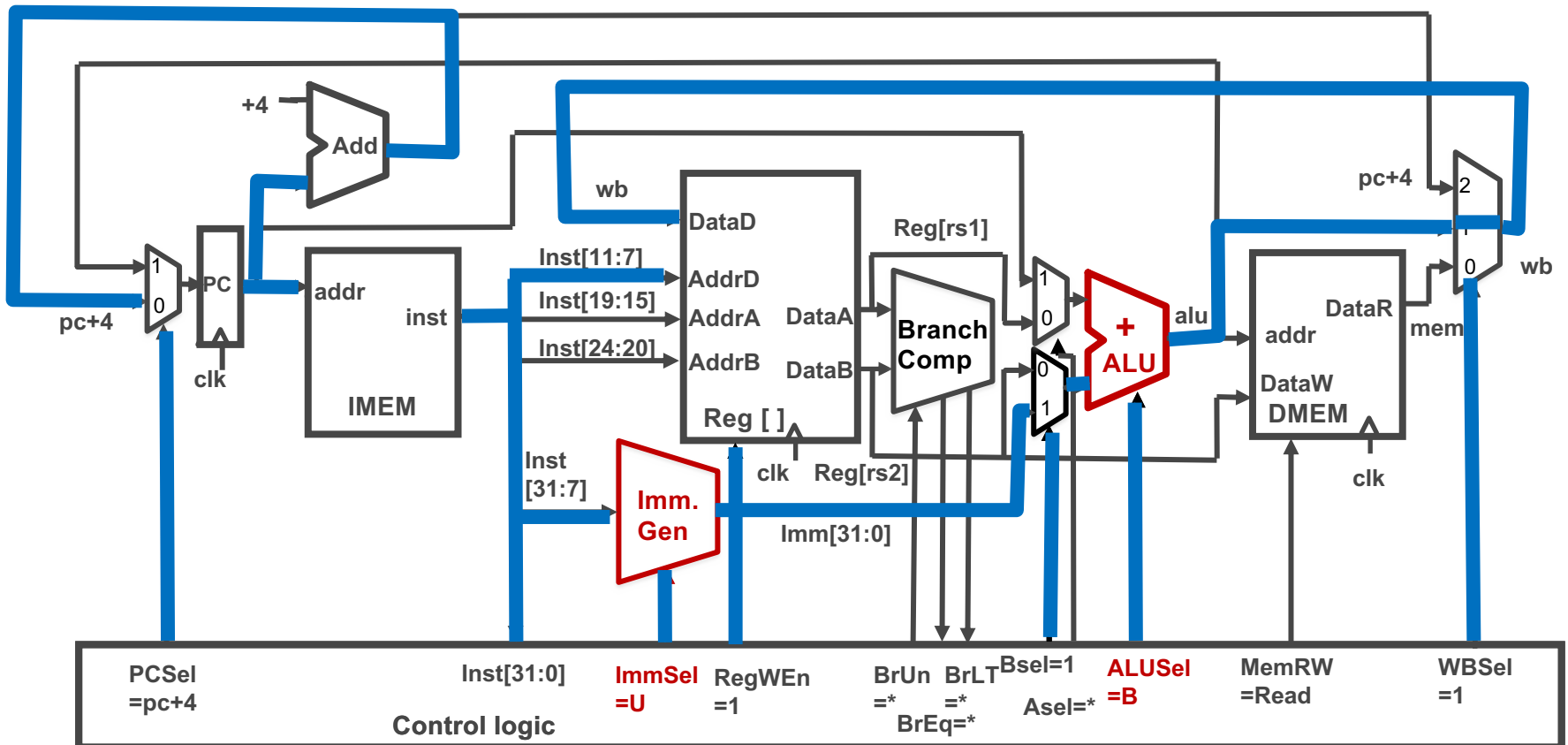


U-Format for “Upper Immediate” Instructions

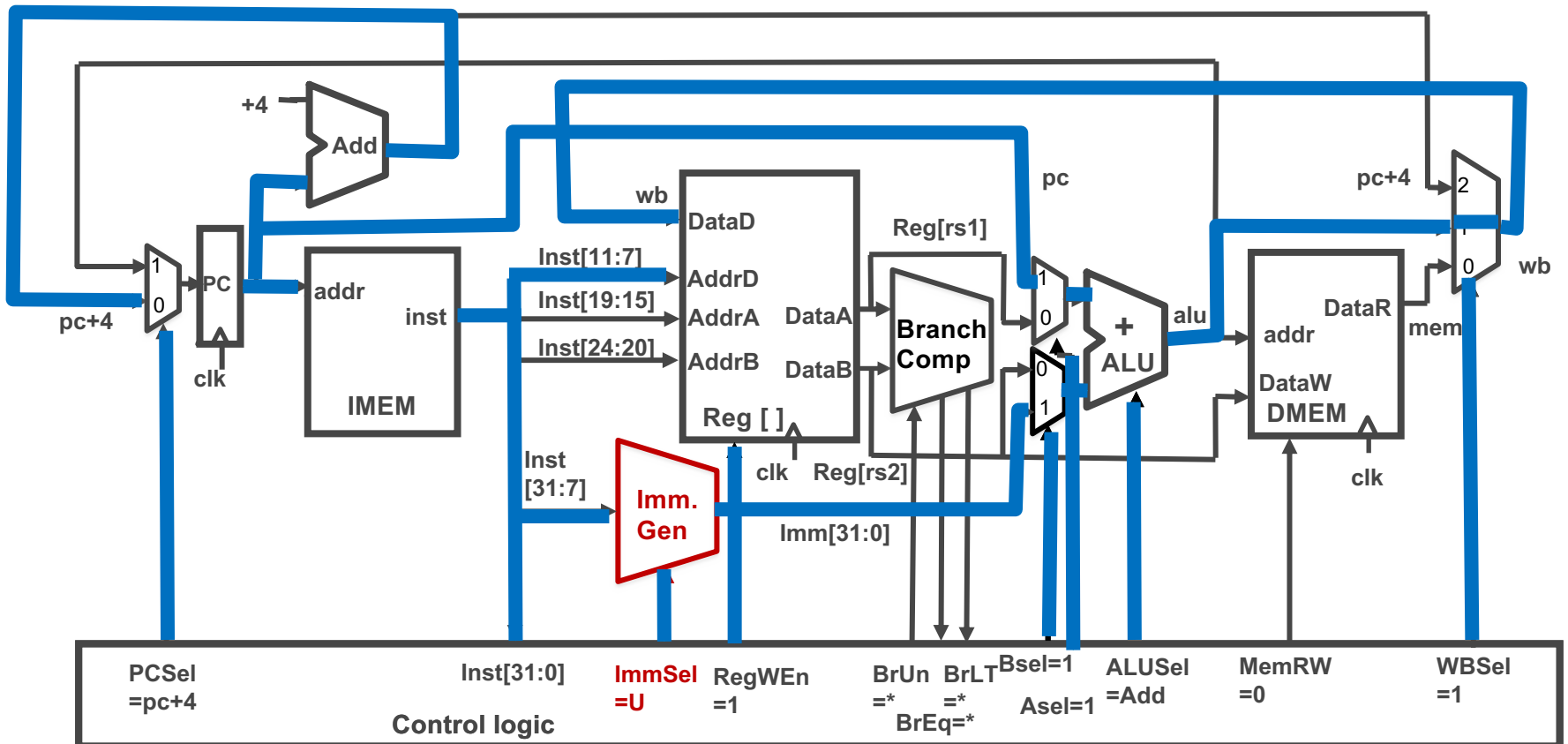


- Has 20-bit immediate in upper 20 bits of 32-bit instruction word
- One destination register, rd
- Used for two instructions
 - LUI – Load Upper Immediate
 - AUIPC – Add Upper Immediate to PC

Implementing LUI



Implementing AUIPC



Recap: Complete RV32I ISA

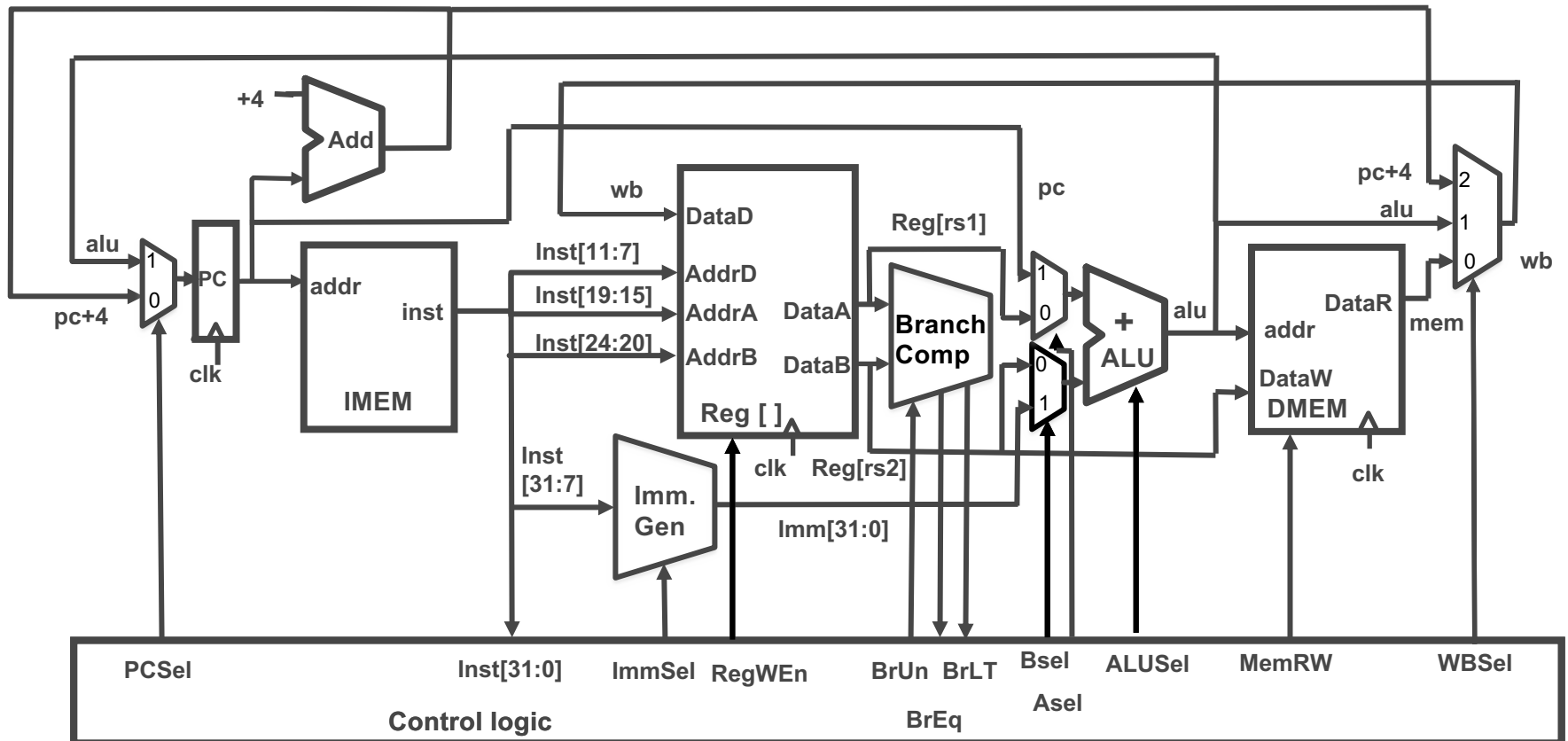
imm[31:12]				rd	0110111	LUI	
imm[31:12]				rd	0010111	AUIPC	
imm[20 10:1 11 19:12]				rd	1101111	JAL	
imm[11:0]		rs1	000	rd	1100111	JALR	
imm[12 10:5]	rs2	rs1	000	imm[4:1 11]	1100011	BEQ	
imm[12 10:5]	rs2	rs1	001	imm[4:1 11]	1100011	BNE	
imm[12 10:5]	rs2	rs1	100	imm[4:1 11]	1100011	BLT	
imm[12 10:5]	rs2	rs1	101	imm[4:1 11]	1100011	BGE	
imm[12 10:5]	rs2	rs1	110	imm[4:1 11]	1100011	BLTU	
imm[12 10:5]	rs2	rs1	111	imm[4:1 11]	1100011	BGEU	
imm[11:0]		rs1	000	rd	0000011	LB	
imm[11:0]		rs1	001	rd	0000011	LH	
imm[11:0]		rs1	010	rd	0000011	LW	
imm[11:0]		rs1	100	rd	0000011	LBU	
imm[11:0]		rs1	101	rd	0000011	LHU	
imm[11:5]		rs2	rs1	000	imm[4:0]	0100011	SB
imm[11:5]		rs2	rs1	001	imm[4:0]	0100011	SH
imm[11:5]		rs2	rs1	010	imm[4:0]	0100011	SW
imm[11:0]		rs1	000	rd	0010011	ADDI	
imm[11:0]		rs1	010	rd	0010011	SLTI	
imm[11:0]		rs1	011	rd	0010011	SLTIU	
imm[11:0]		rs1	100	rd	0010011	XORI	
imm[11:0]		rs1	110	rd	0010011	ORI	
imm[11:0]		rs1	111	rd	0010011	ANDI	

0000000	shamt	rs1	001	rd	0010011	SLLI	
0000000	shamt	rs1	101	rd	0010011	SRLI	
0100000	shamt	rs1	101	rd	0010011	SRAI	
0000000	rs2	rs1	000	rd	0110011	ADD	
0100000	rs2	rs1	000	rd	0110011	SUB	
0000000	rs2	rs1	001	rd	0110011	SLL	
0000000	rs2	rs1	010	rd	0110011	SLT	
0000000	rs2	rs1	011	rd	0110011	SLTU	
0000000	rs2	rs1	100	rd	0110011	XOR	
0000000	rs2	rs1	101	rd	0110011	SRL	
0100000	rs2	rs1	101	rd	0110011	SRA	
0000000	rs2	rs1	110	rd	0110011	OR	
0000000	rs2	rs1	111	rd	0110011	AND	
0000	pred	succ	00000	000	00000	0001111	FENCE
0000	0000	0000	00000	001	00000	0001111	FENCE
000000000000			00000	000	00000	1110011	ECALL
000000000001			00000	000	00000	1110011	EBREAK
csr		rs1	001	rd	1110011	CSRRLW	
csr		rs1	010	rd	1110011	CSRRS	
csr		rs1	011	rd	1110011	CSRRC	
csr		zimm	101	rd	1110011	CSRRLW	
csr		zimm	110	rd	1110011	CSRRS	
csr		zimm	111	rd	1110011	CSRRC	

Not in CA

- RV32I has 37 instructions
- 37 instructions are enough to run any C program

Complete RV32I Datapath!



“And In conclusion...”

- We have designed a complete datapath
 - Capable of executing all RISC-V instructions in one cycle each
 - Not all units (hardware) used by all instructions
- 5 Phases of execution
 - IF, ID, EX, MEM, WB
 - Not all instructions are active in all phases
- Controller specifies how to execute instructions
 - New instructions can be added with just control?